

# Air Bear® Right Angle

Media Whole-House Air Cleaners



## TECHNICAL ENGINEERING SPECIFICATION

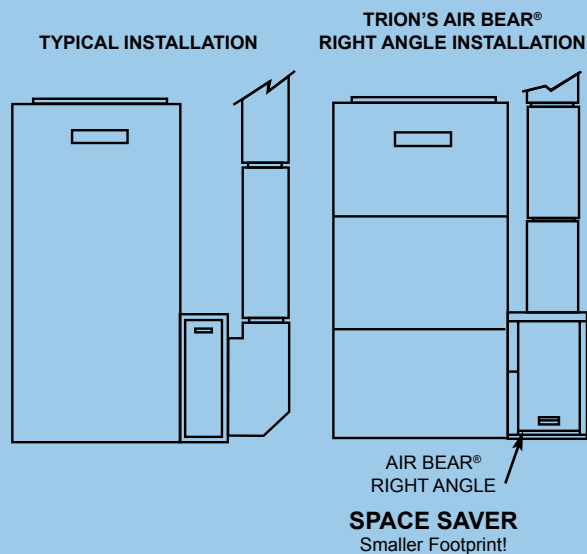


### Performance:

- Rated Airflow Of Up To 2000 CFM
- Non-Woven, 5-Inch Thick, Pleated Air Bear Media Filter Traps Particles as Small as One Micron
- Tested Using ANSI/Ashrae 52.2-2007 Standard Procedures
- Efficiency Rating of MERV 8 or MERV 11

### Features:

- Quick And Easy Installation
- Air Bear Filters Capture and Hold Pollutants Inside The filter, Allowing Air to Flow Freely Through the System
- Highly-Efficient, 100% Electrostatically-Charged Synthetic Material. Features Extended Surface Pleats that Have a Higher Dirt-Holding Capacity than Competitive Filters
- Built-In Ductwork For Installations that Require a 90° Duct Adapter
- Mounts Directly to Heating and Cooling Systems
- Suitable for Use with All Types of Central Forced-Air Configurations
- Space-Saving Design is Ideal for Basement Applications
- Rugged Cabinet Construction for Long Life

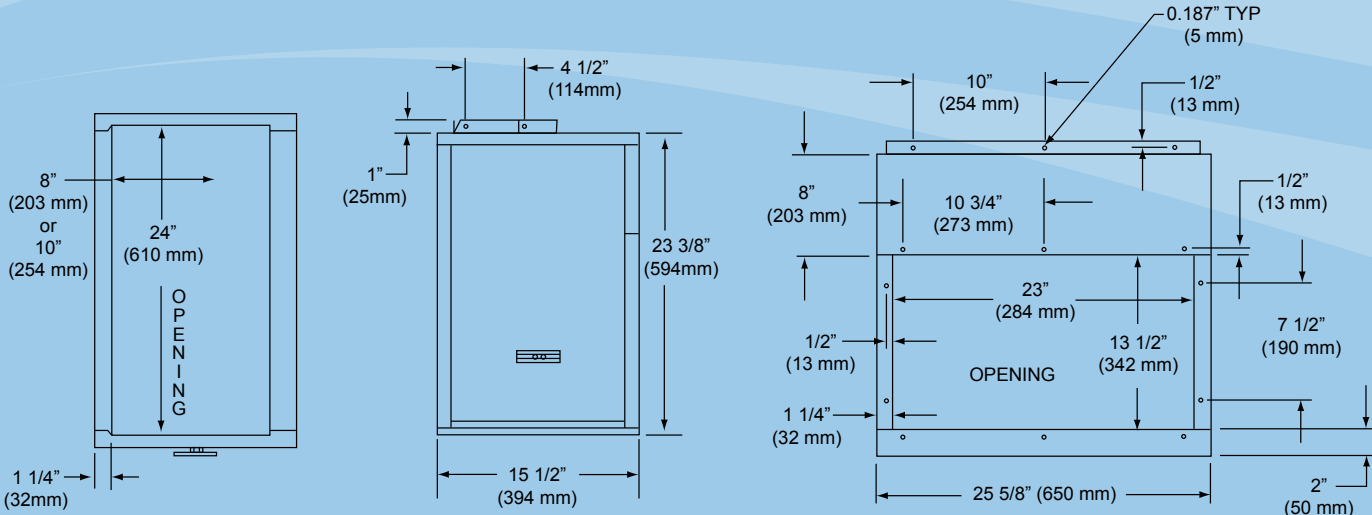


### Warranty:

- 10-Year Limited Warranty on Cabinet

**TECHNICAL ENGINEERING SPECIFICATION**

**Air Bear® Right Angle Dimensions**



**Air Bear® Right Angle Product Information**

Model	Air Bear® Right Angle	
<b>Part No.</b>	447380-002	459202-001
<b>Rated Airflow</b>	2000 CFM (3398 m <sup>3</sup> /hr)	2000 CFM (3398 m <sup>3</sup> /hr)
<b>MERV RATING</b>	8	11
<b>Outside Dimensions</b>	25 5/8" D x 24 3/8" H x 15 1/2" W (650mm x 619mm x 394mm)	25 5/8" D x 24 3/8" H x 15 1/2" W (650mm x 619mm x 394mm)
<b>Adjustable Duct Opening</b>	24" x 8" (610mm x 203mm) or 24" x 10" (610mm x 254mm)	24" x 8" (610mm x 203mm) or 24" x 10" (610mm x 254mm)
<b>Furnace Opening</b>	23" x 13 1/2" (584mm x 342mm)	23" x 13 1/2" (584mm x 342mm)
<b>Media Size</b>	5" D x 20" H x 24 1/2" W (127mm x 508mm x 622mm)	5" D x 20" H x 24 1/2" W (127mm x 508mm x 622mm)
<b>Media Part No. (3 Pack)</b>	255649 -102	259112-102
<b>Media Type</b>	100% Synthetic Disposable / Factory Assembled	100% Synthetic Disposable / Factory Assembled
<b>Media Listing</b>	UL Classified (See complete marking on product.)	UL Classified (See complete marking on product.)
<b>Cabinet Finish</b>	Powder-Coated Paint Finish	Powder-Coated Paint Finish
<b>Shipping Weight</b>	35 lb. (15.8 kg)	35 lb. (15.8 kg)
<b>Universal Application</b>	Right / Left-Hand Installation	Right / Left-Hand Installation

©2008 Trion®. Trion® is a registered trademark of Air System Components, Inc. All product specifications reflect available information at the printing of this brochure. Trion® reserves the right to revise or modify products and/or specifications without notice.

Trion® | 101 McNeill Road | Sanford, NC 27330 | Phone: 800-884-0002 | Fax: 800-458-2379  
Web: www.trioninc.com | Email: customerservice@trioninc.com