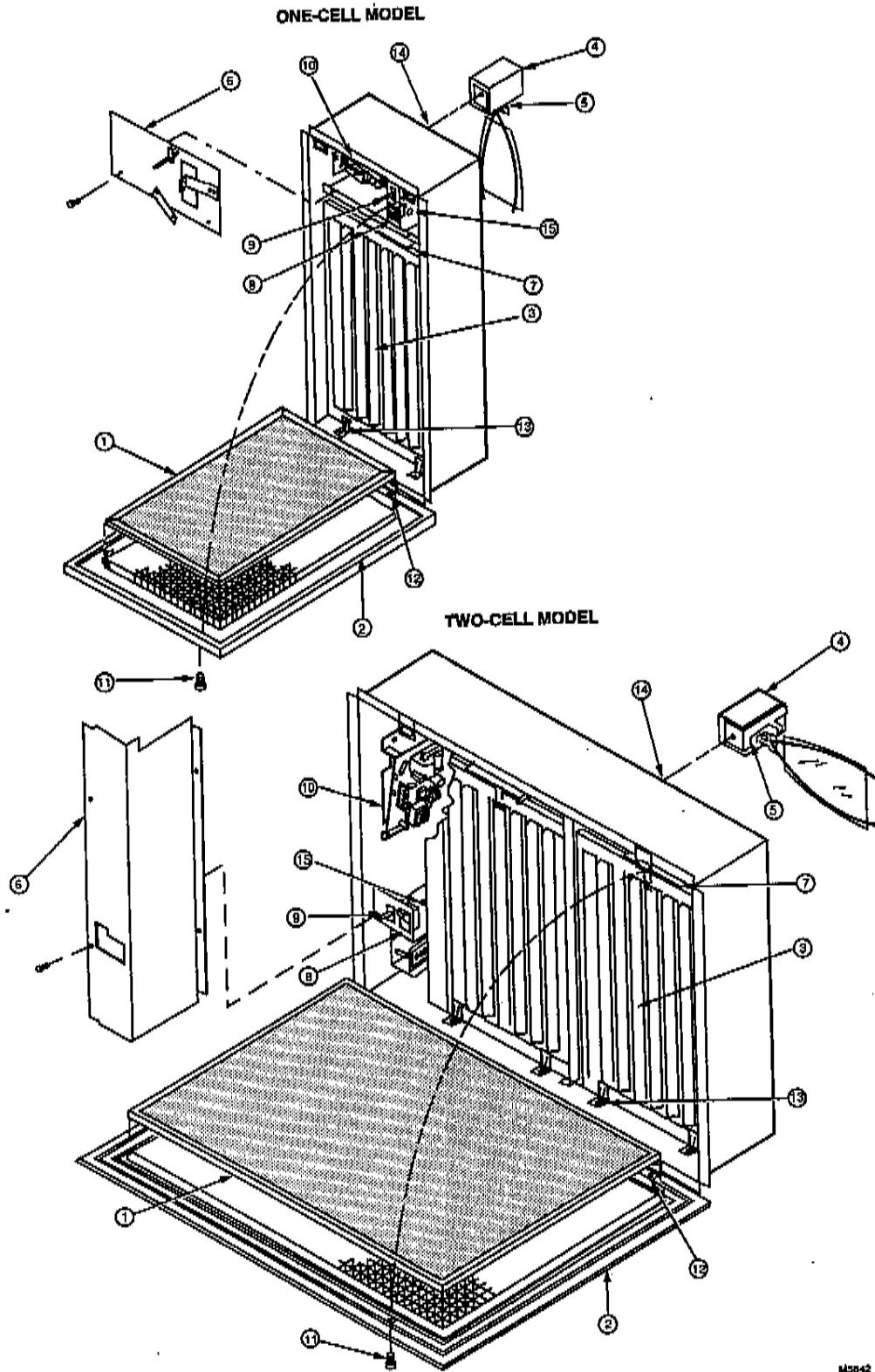


F52E  
EXPLODED VIEW

# Exploded View

Fig. 27—F52E parts are keyed to parts list on page 21.



# Parts List

Number On Fig. 27	Description	Part Number			
		120 Vac Model		220/240 Vac Model	
		1-Cell	2-Cell	1-Cell	2-Cell
1	Prefilter	198441	198442	198441	198442
2	Door Assembly (includes prefilter and door)	220333B	220334B	220333B	220334B
3	Electronic Cell	FC37A1171	FC37A1171 (2)	FC37A1171	FC37A1171 (2)
4	Sail Switch	S688A1007	S688A1007	S688A1007	S688A1007
5	Sail Switch Bracket	190964	190964	190964	190964
6	Power Supply Enclosure (2-cell) Power Supply Cover Plate (1-cell)	— 201792A	190934A —	— 201792A	190934A —
7	Cell Contact Boards for: Cabinet Cell	190912A 136430A	190912A (2) 136430A (2)	190912A 136430A	190912A (2) 136430A (2)
8	Switch-Neon Light Assembly	200732	200732	200732	200732
9	Interlock Switch	190333	190333	190333	190333
10	Power Supply Assembly	203350A	203327A	203350B	203327B
11	Plastic Door Latch	190915 (2)	190915 (2)	190915 (2)	190915 (2)
12	Hex Nut for Door Hinge	21581 (3)	21581 (3)	21581 (3)	21581 (3)
13	Plastic Hook for Cell(s)	190913 (2)	190913 (4)	190913 (2)	190913 (4)
14	Strain Relief	103074T	103074T	103074T	103074T
15	Terminal Bushing	201422	138779	201422	138779
16	Adapter Plate for Power Supply	138620	—	138620	—
Not shown	Ionizer Wires (multiples of 5)	136434AA	136434AA	136434AA	136434AA
Not shown	Cell Handle	137266	137266 (2)	137266	137266 (2)