

⚠ WARNING

1. High voltage may cause serious injury from electrical shock. Disconnect power to the furnace/air handler before starting installation.
2. Sharp edges may cause injury from cuts. Use care when cutting and handling sheet metal.

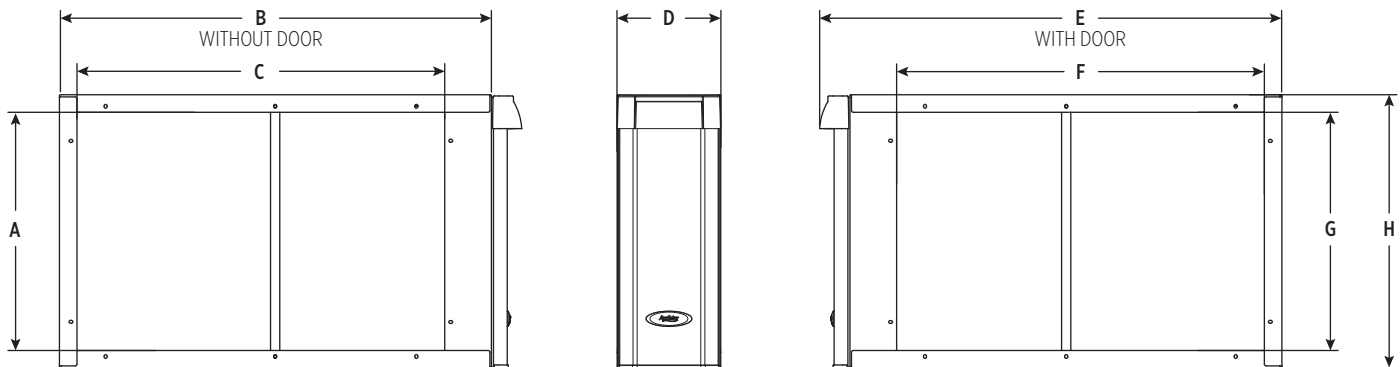
⚠ CAUTION

1. To prevent component failure, do not install the air purifier on the warm air supply or in an area where the temperature may exceed 140°F. This may include areas above heat exchangers in downflow furnaces or above exhaust flues in lowboy furnace cold air returns.
2. Installation must be done by a qualified heating and air conditioning professional. Read instructions thoroughly before beginning installation.
3. Do not install air purifier downstream of a UV light. UV lamps will cause degradation of the filtering media.

SPECIFICATIONS

MODEL	1110	1210, 2210, 2216, 3210	1310, 2310, 3310	1410, 2410, 2416, 3410	1910
Replacement Filter	Model 110 or 113 with SelfSeal™	Model 210, 213, 213CBN or 216 with SelfSeal™	Model 310 or 313 with SelfSeal™	Model 410, 413, 413CBN or 416 with SelfSeal™	Model 910 or 913 with SelfSeal™
Maximum Equipment Weight	Cabinet will support 250 lb. static load	Cabinet will support 400 lb. static load			
Air Purifier Operating Environment	Temperature: 0°F–140°F, Humidity: 0–90% non-condensing				

DIMENSIONS



90-1333

TABLE 1 – DIMENSIONS (INCHES)

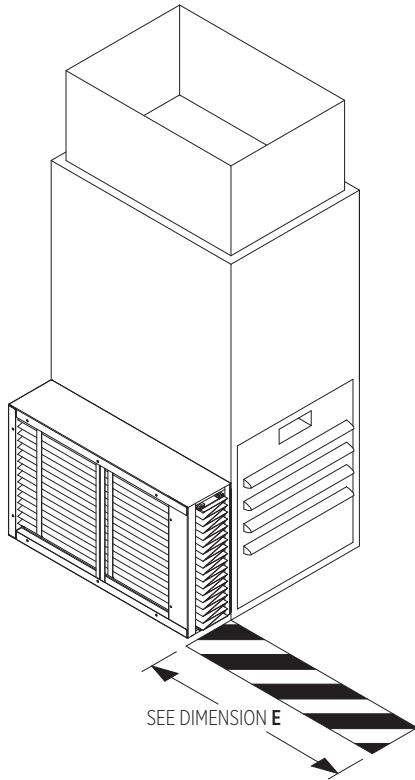
Model	A	B	C	D	E	F	G	H
1110	15-7/16	20-1/16	17-3/8	6-3/4	22-1/16	17-3/8	15-7/16	17-3/4
1210, 2210, 2216, 3210	19-3/4	25-3/8	21-3/16	6-3/4	27-3/8	21-3/16	19-3/4	22-1/16
1310, 2310, 3310	18-1/16	20-1/16	15-7/8	6-3/4	22-1/16	15-7/8	18-1/16	20-3/8
1410, 2410, 2416, 3410	15-7/16	28-1/16	23-7/8	6-3/4	30-1/16	23-7/8	15-7/16	17-3/4
1910	22-3/4	20-1/16	15-7/8	6-3/4	22-1/16	15-7/8	22-3/4	25-1/16

INSTALL THE AIR PURIFIER CABINET

LOCATING THE AIR PURIFIER

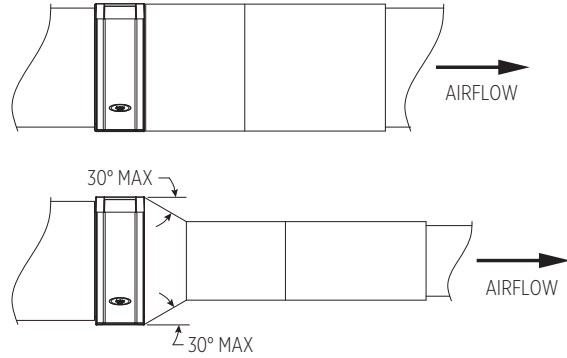
1. Leave sufficient space in front of the air purifier for the removal of the filter (see **FIGURE 1**).
2. **DO NOT INSTALL DOWNSTREAM OF A UV LIGHT.**
UV lamps will cause degradation of the filtering media.
3. **FIGURES 2-4** show typical applications.

FIGURE 1 – FILTER CLEARANCE



90-1374

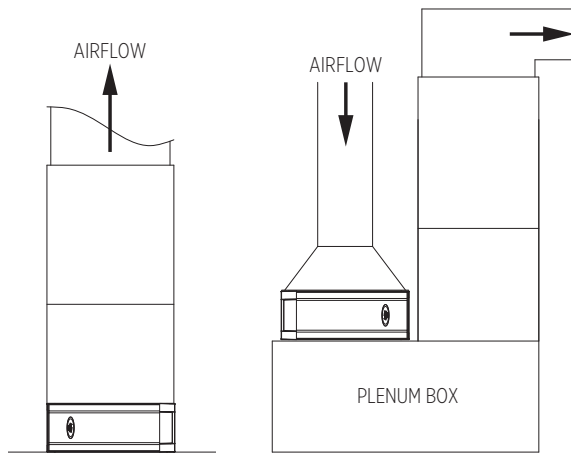
FIGURE 2 – HORIZONTAL INSTALLATION



90-1319

90-2099

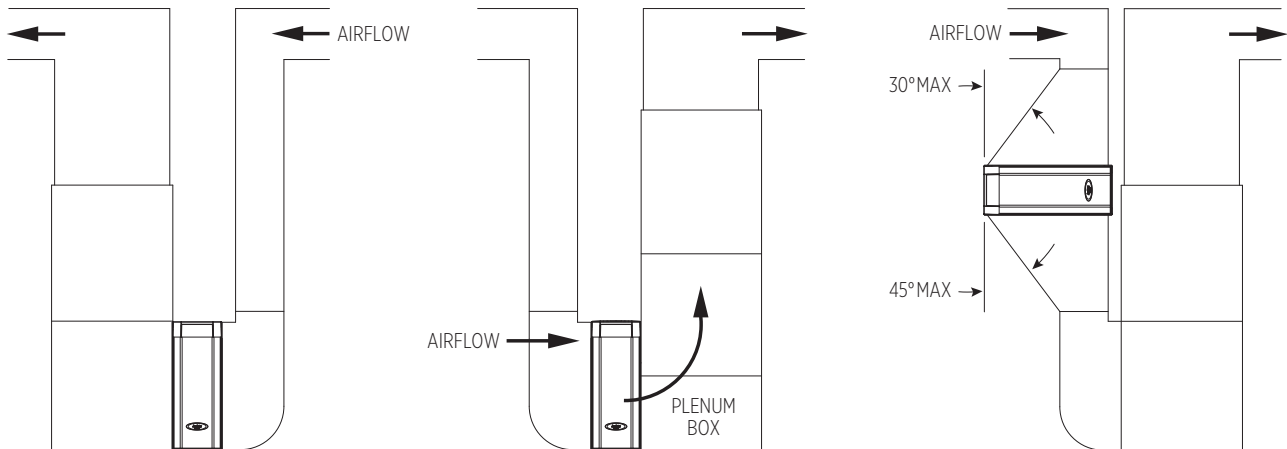
FIGURE 3 – HIGHBOY PLATFORM INSTALLATION



90-2100

90-1318

FIGURE 4 – UPFLOW INSTALLATION



90-1320

90-2101

90-1320

INSTALLATION

1. Disconnect power to the furnace or air handler at the electrical service panel.

⚠ WARNING

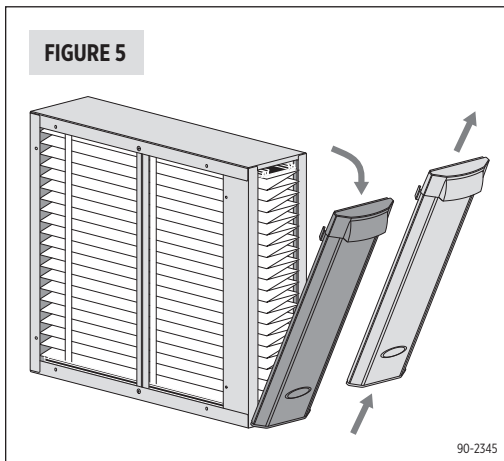
120 Volts may cause serious injury from electrical shock. Disconnect power to the furnace/air handler before starting installation. Leave power disconnected until installation is completed.

2. Remove the air purifier door from the outer housing and pull out the filter (see **FIGURE 5**).
3. If replacing an existing filter, remove the filter and thoroughly clean the blower compartment.
4. Use screws (field supplied) to mount the outer housing to the furnace/air handler. There is no inlet or outlet side on the outer housing (the outer housing can be mounted on the left or right side of the furnace/air handler).

NOTE FOR UPFLOW INSTALLATIONS: Provide support under the outer housing to ensure the quality of the seals (see **FIGURE 6**).

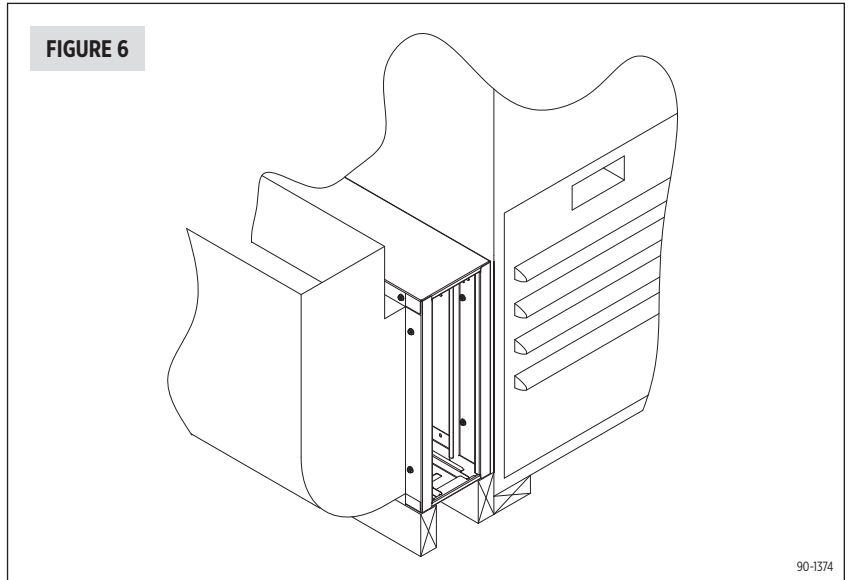
5. Mount the return ductwork to the outer housing.
6. Seal all connections using mastic, foil tape or silicone based caulk.
7. Install the filter (see **FIGURE 7**).
8. Install the door.
9. Reconnect power to the furnace or air handler at the electrical service panel.

FIGURE 5



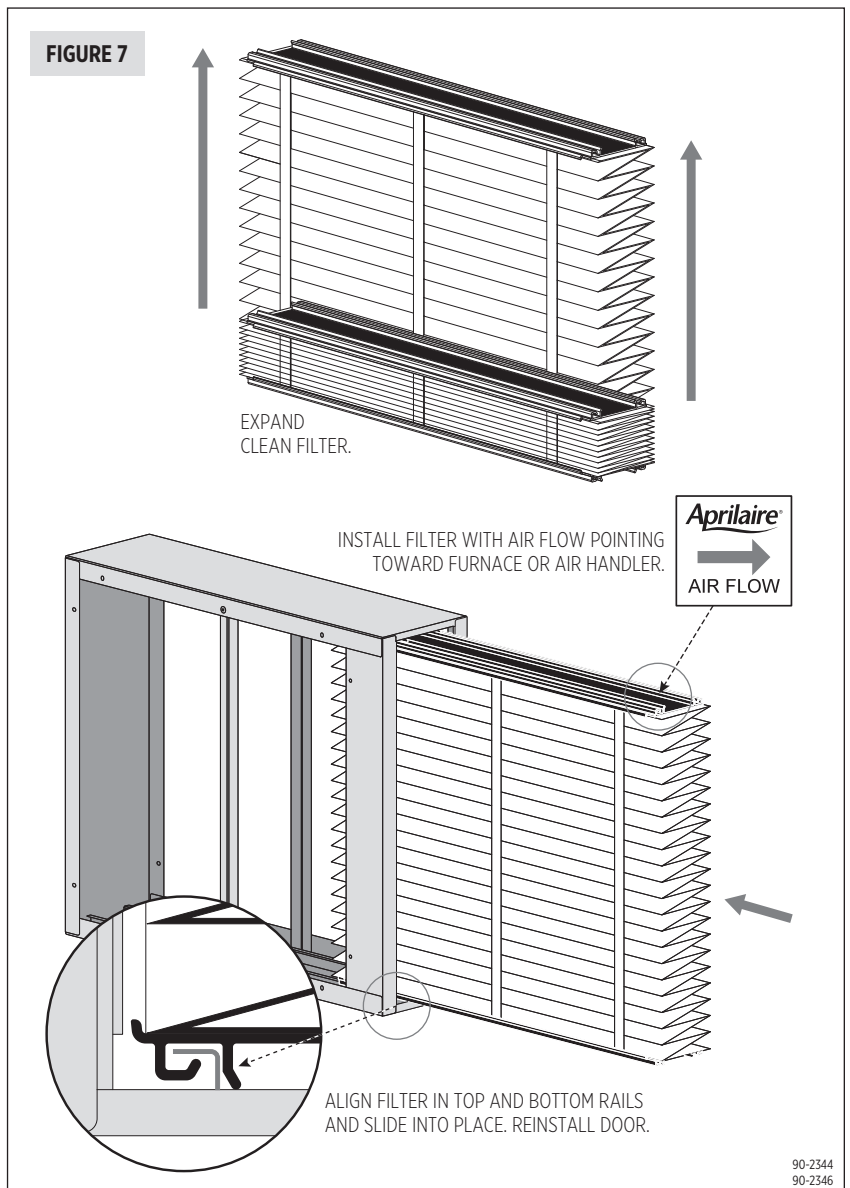
90-2345

FIGURE 6



90-1374

FIGURE 7



90-2344
90-2346

AprilairePartners.com
P.O. Box 1467
Madison, WI 53701-1467
800.334.6011 F: 608.257.4357
Printed in USA
©2018 **Aprilaire** – Division of Research Products Corporation
10011245 B2701359C 1.18

Aprilaire[®]