

OWNER AND SERVICE MANUAL



**CAUTION!
SHARP EDGES
WEAR GLOVES FOR
INSTALLATION**

SMOKEMASTER[®] MODELS C-12, X-11Q and X-400

SELF-CONTAINED ELECTRONIC AIR CLEANERS

Mail: Air Quality Engineering
7140 Northland Drive N.
Brooklyn Park, MN 55428
USA

Phone: 1.800.328.0787
763.531.9823
Fax: 763.531.9900
e-mail: info@air-quality-eng.com
web: www.air-quality-eng.com

© 2015

Air Quality Engineering, Inc. copyrights this manual with all rights reserved. Under the copyright laws, this manual may not be reproduced in any form, in whole or in part, without the prior written consent of Air Quality Engineering, Inc.

All statements, technical information and recommendations in this manual or related documents are believed reliable, but the accuracy and completeness thereof are not guaranteed or warranted, and they are not intended to be, nor should they be understood to be representation or warranties concerning the products described. Specifications are subject to change without notice.

These air cleaners have not been tested for compliance to California Air Resource Board requirements and are not available for sale, resale or installation in California.

TABLE OF CONTENTS

PRINCIPLES OF OPERATION	2
INTRODUCTION	3
C-12 SPECIFICATIONS	3
X-11Q SPECIFICATIONS	4
X-400 SPECIFICATIONS	4
SAFETY PRECAUTIONS	5
COMPONENTS	5-6
PARTS LIST	7-9
INSTALLATION	10-16
CHECKOUT	17
OPERATING INSTRUCTIONS	17
MAINTENANCE	18
SERVICE	19-21
ELECTRICAL SCHEMATICS	22-24
ELECTRICAL TROUBLESHOOTING	25
WARRANTY	28

PRINCIPLES OF OPERATION

HOW YOUR ELECTRONIC AIR CLEANER WORKS

A process called "Electrostatic Precipitation" traps airborne contaminants. The fan draws particulate laden air successively through the prefilter, the cell ionizing section and the cell collector section. The ionizing section imparts an electrical charge to the individual particles that are then drawn by electrostatic forces to the oppositely charged collector plates. Cleaned air is then discharged back into the room.

The electronic cells must be washed periodically to maintain efficient performance.

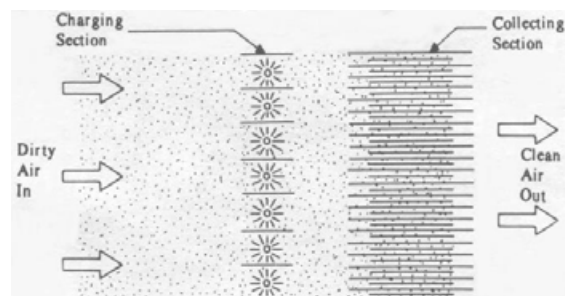


FIGURE 1: Conceptual Drawing of ESP Unit

INTRODUCTION

Your SMOKEMASTER® Electronic Air Cleaner is an advanced self-contained electronic air cleaner. The model C-12, X-11Q and X-400 indoor air pollution control units offer low cost, energy efficient air cleaning solutions with minimal required maintenance.

SMOKEMASTER® model C-12s are designed to be installed in rooms with solid ceilings while our dropped ceiling units, the X-11Q and X-400 are designed to be installed in the space of a 2' x 4' and 2' x 2' ceiling panel, respectively. Typical installations include conference rooms, lounges, offices, lunchrooms, etc.

Because it provides its own air circulation, your SMOKEMASTER® unit may be used in almost any application requiring the removal of airborne particulate contamination from an enclosed space.

Recommended quantities of clean outdoor ventilation air for various applications are described in Table 2 of the ASHRAE Standard 62-89, "Ventilation for Acceptable Indoor Air Quality." ASHRAE (American Society of Heating, Refrigerating and Air Conditioning Engineers, Inc., Telephone #404-636-8400) notes that these recommended outdoor air quantities may be reduced by the use of clean, recirculated air if the IAQ Procedure 6.2 is used. Appendix E of ASHRAE 62-89 includes recommendations for the use of clean, recirculated air. However, in most cases, adequate control of carbon dioxide generally requires a minimum clean outdoor air quantity of no less than 15 cubic feet of air per minute per person.

Additional ventilation may be required for toxic contaminants. In any event, the air cleaner must be used only in areas that are ventilated for human occupancy in order to dissipate any incidental generation of ozone.

WARNING!

SMOKEMASTER® Electronic Air Cleaners are not explosion-proof. They must not be installed where there is danger of vapor, gas or dust explosion.

C-12 SPECIFICATIONS

DIMENSIONS: 25" x 25" x 11";
[635 mm x 635 mm x 279.5 mm]

WEIGHT: 79 Lbs. [36 Kg] shipping; 69 Lbs. [31 Kg] installed, including electronic cells. Each cell weighs 9 ½ Lbs. [4.3 Kg].

ELECTRICAL RATINGS:
Voltage and Frequency: 120V, 60 Hz;
220/240V, 50 Hz

CURRENT AND POWER CONSUMPTION:

FAN SPEED	120V, 60 HZ		220/240V, 50 HZ	
	WATTS	AMPS	WATTS	AMPS
High	300	3.3	300	1.6
Med.	250	2.7	250	1.3
Low	220	2.4	220	1.2

AMBIENT TEMPERATURE RATING:
Shipping and Storage: -40°F to +150°F;
[-40°C to +66°C]

Size Range	Efficiency
0.7-1.0	96.0
2.2-3.0	98.2
4.0-5.5	99.1
7.0-10.0	99.8

EFFICIENCY: Up to 99.8% efficiency (at 1000 CFM airflow) is delivered as measured according to the American Society of Heating, Refrigerating and Air Conditioning Engineers (ASHRAE) Standard 52.2.

MODEL X-11	Low	Medium	High
CFM (60 Hz)	800	1050	1250
Noise Level	58 dB(A)	65 dB(A)	69 dB(A)

X-11Q SPECIFICATIONS

DIMENSIONS: 48" x 24" x 13 5/8";
[1218 mm x 609 mm x 436 mm]

WEIGHT: 101 Lbs. [46 Kg] shipping; 83 Lbs.
[38 Kg] installed, including electronic cells. Each
cell weighs 9 ½ Lbs. [4.3 Kg].

ELECTRICAL RATINGS:
Voltage and Frequency: 120V, 60 Hz;
220/240V, 50 Hz

CURRENT AND POWER CONSUMPTION:

FAN SPEED	120V, 60 HZ		220/240V, 50 HZ	
	WATTS	AMPS	WATTS	AMPS
High	300	3.3	300	1.6
Med.	250	2.7	250	1.3
Low	220	2.4	220	1.2

AMBIENT TEMPERATURE RATING:
Shipping and Storage: -40°F to +150°F;
[-40°C to +66°C]

Size Range	Efficiency
0.7-1.0	96.0
2.2-3.0	98.2
4.0-5.5	99.1
7.0-10.0	99.8

EFFICIENCY: Up to 99.8% efficiency (at 1000 CFM airflow) is delivered as measured according to the American Society of Heating, Refrigerating and Air Conditioning Engineers (ASHRAE) Standard 52.2.

MODEL X-11	Low	Medium	High
CFM	500	900	1100
Noise Level	51 dB(A)	59 dB(A)	69 dB(A)

X-400 SPECIFICATIONS

DIMENSIONS: 24" x 24" x 13 5/8";
[609 mm x 609 mm x 436 mm]

WEIGHT: 54 Lbs. [25 Kg] shipping; 44 Lbs.
[20 Kg] installed, including electronic cells. Each
cell weighs 9 ½ Lbs. [4.3 Kg].

ELECTRICAL RATINGS:
Voltage and Frequency: 120V, 60 Hz;
220/240V, 50 Hz

CURRENT AND POWER CONSUMPTION:

FAN SPEED	120V, 60 HZ		220/240V, 50 HZ	
	WATTS	AMPS	WATTS	AMPS
High	115	1.2	115	0.6
Med.	70	0.7	70	0.4
Low	50	0.5	50	0.3

AMBIENT TEMPERATURE RATING:
Shipping and Storage: -40°F to +150°F;
[-40°C to +66°C]

Size Range	Efficiency
0.7-1.0	96.0
2.2-3.0	98.2
4.0-5.5	99.1
7.0-10.0	99.8

EFFICIENCY: Up to 99.8% efficiency (at 1000 CFM airflow) is delivered as measured according to the American Society of Heating, Refrigerating and Air Conditioning Engineers (ASHRAE) Standard 52.2.

MODEL X-11	Low	Medium	High
CFM	175	275	400
Noise Level	45 dB(A)	51 dB(A)	57 dB(A)

SAFETY PRECAUTIONS

Do not disassemble or modify. - Fire and/or electrical shock may occur as a result. For repair, contact your dealer or Air Quality Engineering, Inc.

Do not damage power cord or use unit with a damaged power cord. Fire, electrical shock, and/or damage may occur as a result.

Use the appropriate AC voltage, 120V or 220V, power source.

Do not allow the unit to intake flammable gases. Do not use where there is accumulation of such flammable gases. - Explosion and/or fire may occur.

Do not use with prefilter or main filter removed. - Malfunction may occur as a result.

C-12 COMPONENTS

COMPONENTS OF THE C-12 ELECTRONIC AIR CLEANER

Cabinet & Grille – Low profile design and finish options assure décor compatibility while also made of durable steel. Intake grille adds to the compatible appearance.

Removable Prefilters – Metal mesh prefilters catch larger particles before entering the electronic cells.

System Indicator Lamp, Power Pack and Three Speed Control – The system lamp monitors the electrical output, automatically indicating any systems malfunction. The power supply is located behind the bolted door with the system indicator light. The 3-speed control is accessible and is convenient to alter fan speed for varying concentrations of contaminants.

Electronic Cells – Heavy duty cells remove readily with attached grip handles. Lightweight and durable, each cell fits easily in the dishwasher or AQE washtub (PN 30182) to remove trapped particles accumulated from cleaning dirty air.

Hinged Access Door – Allows easy access to components for periodic cell and prefilter cleaning. Safety interlock discharges all power when the door is opened. Built-in test button assures collector performance.

Mounting – Mounts on wall brackets or with steel suspension rods. For mounting directly to a joist ceiling, lag screws are available.

Plug – Plugs into any regular 120 or 240 volt grounded outlet (depending on voltage ordered).

X-11Q COMPONENTS

COMPONENTS OF THE X-11Q ELECTRONIC AIR CLEANER

Cabinet - A sturdy corrosion resistant steel cabinet requires only a 13 9/16" [344 mm] space above the drop ceiling for installation.

Mounting System - Specially designed support bars simplify installation.

Intake Grille - Attractive intake grille conveniently swings down with a one-inch removable metal mesh prefilter.

Power Module - Removable power module contains all electronic circuitry for easy service.

Electronic Cells - Two electronic cells charge and collect the airborne particles.

Fan Motor - Motor driven fan operates at three speeds. Elastomeric suspension system eliminates vibration noise.

Adjustable Exhaust Grille - Four louvered exhaust grilles direct the cleaned air in four directions.

X-400 COMPONENTS

COMPONENTS OF THE X-400 ELECTRONIC AIR CLEANER

Cabinet - The sturdy corrosion resistant steel cabinet requires only a 13 9/16" [344 mm] space above the drop ceiling for installation.

Mounting System - Specially designed support bars simplify installation – makes mounting of air cleaner safe and secure even during installation.

Intake Grille - Attractive one-piece intake grille conveniently drops down. All serviceable components are accessible through the grille opening.

Power Supply – Solid state power supply assures trouble-free, highly reliable service.

Electronic Cells – One electronic cell charges and collects airborne particles. The compact design allows easy removal for cleaning and service.

Fan Motor - Motor driven fan operates at three speeds providing the choice of circulation level. Elastomeric suspension system eliminates vibration noise.

C-12 Parts List

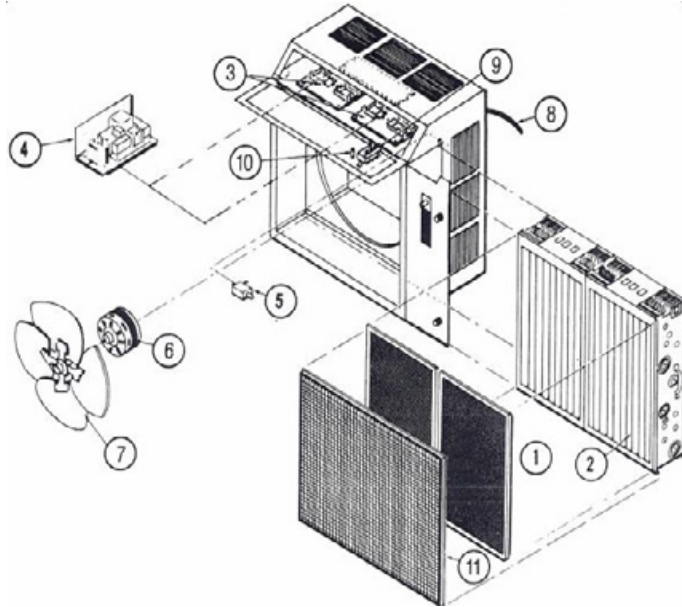


Figure 2: C-12 Parts Breakdown

No.	Description	Part Number	
		120V 60 Hz Models	220V 50 Hz Models
1	Prefilter	41009 (2)	41009 (2)
2	Electronic Cell	38001 (2)	38001 (2)
3	Contact Board Assembly	46113 (2)	46113 (2)
4	Power Supply	07071	07089
5	Door Interlock Switch	10106	10106
6	Motor	05013	05014
7	Fan	37009	37009
8	Power Cord	42193	42027
9	Control Switch	10110	10110
10	Indicator Light	10097	10097
11	Intake Grille, Light	20025	20025
	Intake Grille, Black	20026	20026
NP	Ionizer Wire	38004 (18)	38004 (18)

X-11Q PARTS LIST

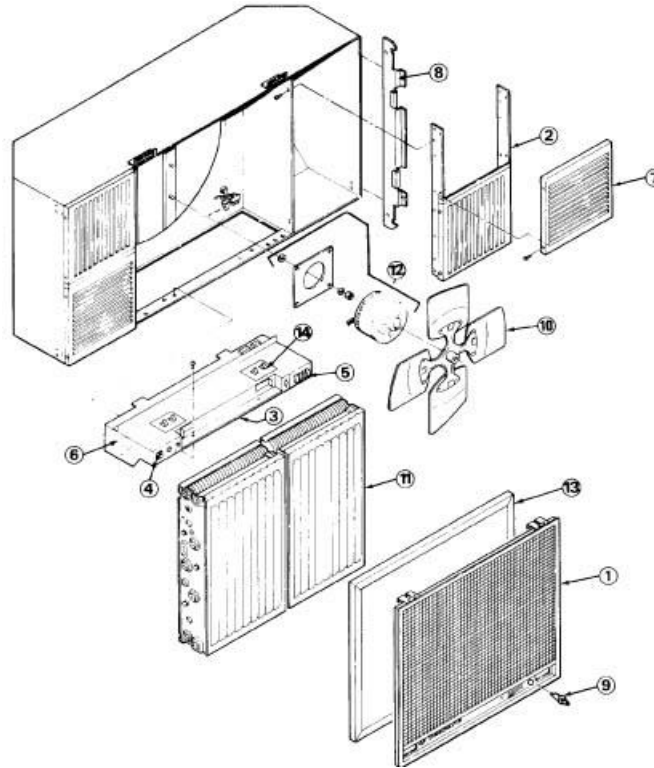


Figure 3: X-11Q Parts Breakdown

NO	DESCRIPTION	PART #
1	Grille Assembly	05112
2	Louver Assembly	05113
3	Power Module Assembly/60 Hz Power Module Assembly/50 Hz	05116 05367
4	System Light	10097
5	Speed Control Switch	10110
6	Interlock Switch	10106
7	Louver	20668
8	Hanger Bracket	20675
9	Push Button Fastener before Dec 06 Quarter Turn Fastener after Dec 06	07234 07279
10	Fan Blade	37009
11	Electronic Cell	38001

12	Motor Replacement Kit/60 Hz Motor Replacement Kit/50 Hz	05299 05360
13	Prefilter Heavy Duty Prefilter	41021 41107
14	Contact Board Assembly	05110

PARTS NOT ILLUSTRATED	PART #
Capacitor	40117
Power Supply/60 Hz	07070
Power Supply/50 Hz	07088
Ionizing Wires	38004
Wash Container w/ Lid	30182
Detergent Concentrate	45008
Cell Coat	45023

X-400 Parts List

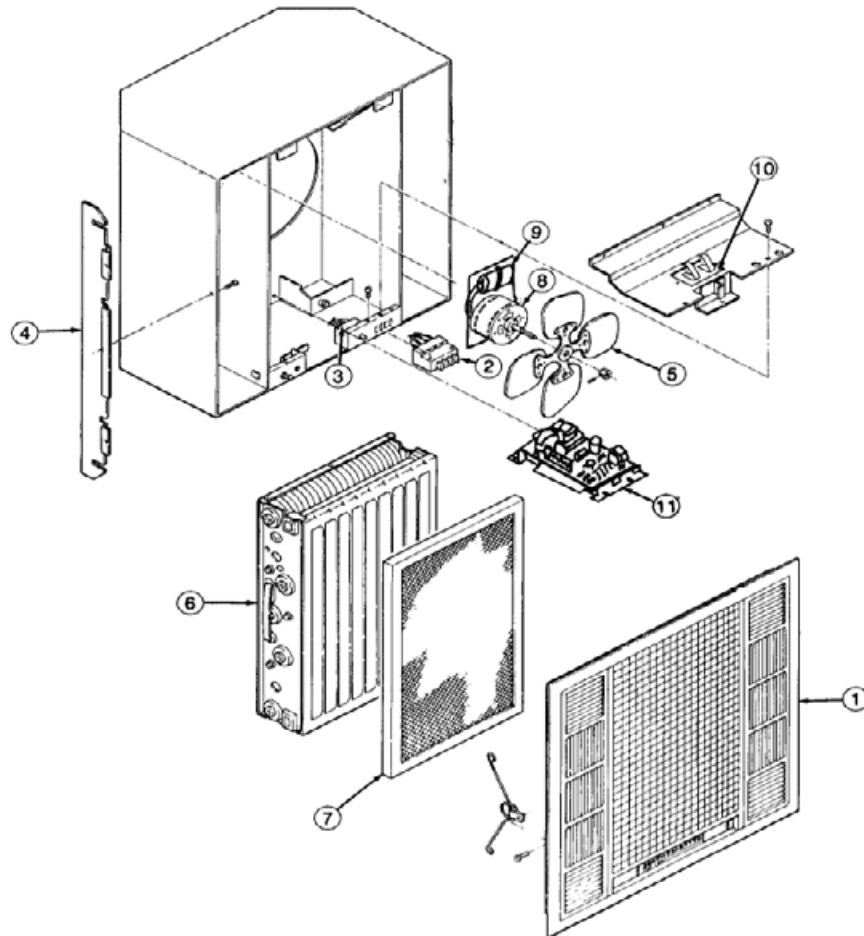


Figure 4: X-400 Parts Breakdown

No.	Description	Part No. 60 Hz	Part No. 50 Hz
1	Grille Assembly	05298	05298
2	Speed Control Switch	10110	10110
3	Interlock Switch	10106	10203
4	Hanger Bracket	21118	21118
5	Fan Blade	37023	37024
6	Electronic Cell	38001	38001
7	Prefilter	41050	41050
8	Motor Assembly	07061	07102
9	Capacitor (60 Hz only)	NA	NA
10	Contact Board Assembly	05110	05110

11	Power Supply	07099	07106
----	--------------	-------	-------

Parts Not Illustrated	Part No.
Ionizer Wire	38004
Carbon Filters	41051

Accessories	Part No.
Wash Container w/ Lid	30182
Cell Cleaner Concentrate	45008

C-12 INSTALLATION

IMPORTANT!

Read these instructions carefully. A hazardous condition or damage to the product could result if instructions are not followed.

CAUTION!

1. Do not connect the power source until after the electronic air cleaner is mounted. Electrical shock and equipment damage may result.
2. Be sure to turn off the air cleaner prior to service or installation. The motor has an automatic thermal overload so it will stop when it is overheated. It will automatically start after a cooling period.
3. Avoid electrical shock by being careful when the air cleaner is turned on for an electrical check. Also, be careful when working near the air cleaner's moving parts.
4. Wear gloves when installing the air cleaner to protect your hands from cuts.

Location

The C-12 should be mounted on the ceiling near the center of the room. Air is drawn into the bottom of the C-12 and discharged in four directions. Divide larger rooms into sections and use a C-12 in the center of each section.

The C-12 should be installed at the ceiling in nearly all applications. This is especially important when the air cleaner is used for smoke control. Visible smoke contains very small particles – so small, in fact, that they are not noticeably affected by gravity. Smoke usually rises to the ceiling and hangs there.

If the C-12 must be installed some distance away from the ceiling, make sure it is at least 14 inches [355 mm] away from the ceiling. This measurement is necessary to reduce staining of the ceiling of lingering smoky air. When the air cleaner is right against the ceiling, the air at the ceiling is moving too fast to deposit dirt particles.

Over 14 inches [355 mm] from the ceiling, the effect is not a problem. But in the space between, slow moving, dirty air is drawn into the area of the discharge outlets and can stain a light colored ceiling.

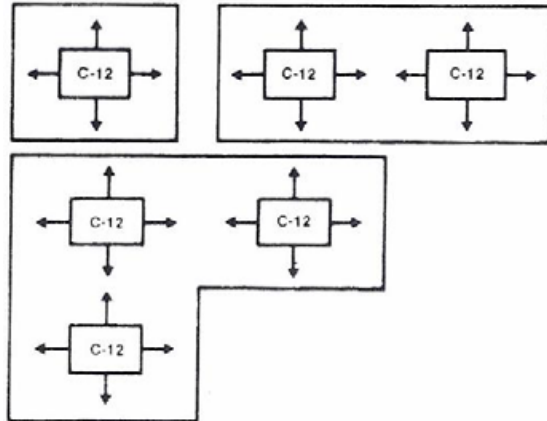
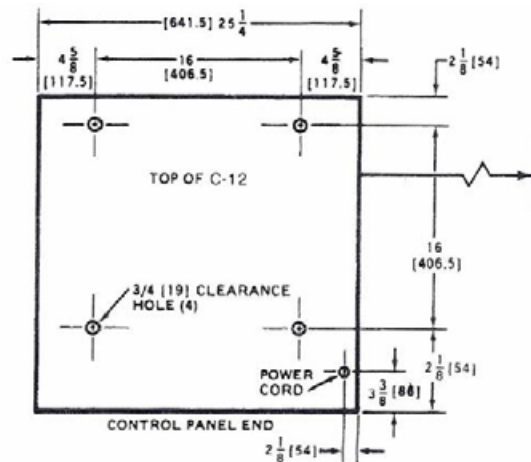


Figure 5 - C-12 Mounting Location

Check the existing air circulation in the room. The C-12 should be installed so that it aids the circulation already established. When airflow patterns are not immediately apparent, observe the smoke from a cigarette in various locations within the room.



△ ALLOW AT LEAST 13 INCHES [330 MM] FOR CELL REMOVAL.

Figure 6 - C-12 Installation Dimensions

Ceiling Mounting

The C-12 is mounted by suspending it from the ceiling.

The mounting holes in holes in the C-12 are spaced 16 inches [406.5 mm] between centers in

both directions. This makes it easy to fasten the air cleaner directly to the ceiling framework with 8 inch lag screws. Leave space for the power cord to run between the top of the C-12 and the ceiling. The power supply cord must not be concealed above ceilings or behind walls.

Note in Figures 7 and 8 that the C-12 is not suspended from the top but rather from the venturi plate, which is heavier metal and designed to support the entire device.

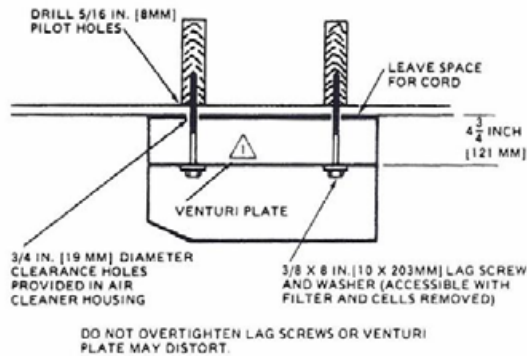


Figure 7 – C-12 Lag Screw Placement

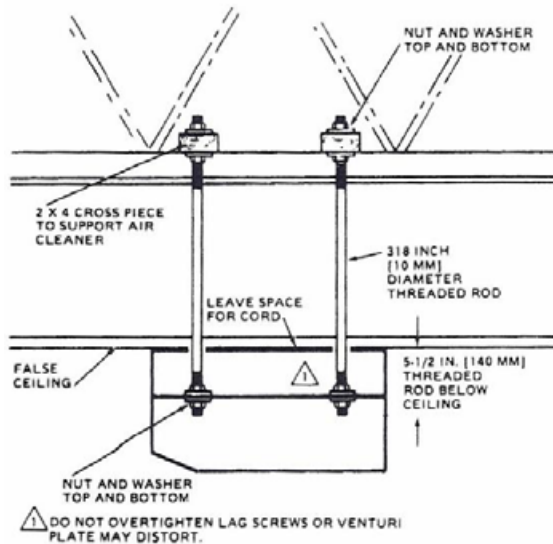


Figure 8 – C-12 Threaded Rod Placement

Be sure that you select a strong structural part of the ceiling. Do not fasten it to a false ceiling or to plaster or plaster-board. In some cases, it may be necessary to construct some type of framing strong enough to support the weight of the C-12.

The C-12 may also be mounted using 3/8 in. [10 mm] diameter threaded steel rods available in many hardware stores. Four steel rods will be required.

WALL MOUNTING

Two wall mounting brackets are used to support the C-12. They are included in an accessory package along with a blank plate to block off the outlet louvers on the side of the air cleaner which will be against the wall.

The two brackets must be mounted on the wall 16 inches [406.5 mm] between centers so that the long bolts will line up with the air cleaner mounting holes. The brackets should be securely fastened to the wall studs with lag screws. On masonry walls, use appropriate screw anchors.

Use the blank metal plate to block off the louvered outlet on the side of the air cleaner that will face the wall. Use the 2 screws with nuts and washers to fasten this plate to the louvers.

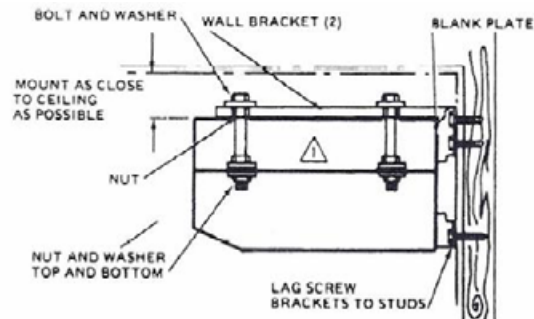


Figure 9 – Wall Mounting the C-12

X-11Q and X-400 INSTALLATION

IMPORTANT!

Read these instructions carefully. A hazardous condition or damage to the product could result if instructions are not followed.

CAUTION!

1. Do not connect the power source until after the electronic air cleaner is mounted. Electrical shock and equipment damage may result.
2. Be sure to turn off the air cleaner prior to service or installation. The motor has an automatic thermal overload so it will stop when it is overheated. It will automatically start after a cooling period.
3. Avoid electrical shock by being careful when the air cleaner is turned on for an electrical check. Also, be careful when working near the air cleaner's moving parts.
4. Wear gloves when installing the air cleaner to protect your hands from cuts.

EQUIPMENT NEEDED

- Philips screwdriver
- Wire cutters
- Pliers
- Knife
- Hacksaw
- Electric drill with 1/8" [3.17 mm] bit
- Wire pliers
- Four 1/4" [6.36 mm] turnbuckles
- 12-gauge galvanized steel wire (enough to hang 4 wires from true ceiling to T-bars).
- Enough 12 or 14 gauge electrical wire and conduit to reach nearest non-switched circuit (see electrical installation instructions).
- Junction box fittings, as needed.

ITEMS SUPPLIED AS LOOSE PARTS

- Two support bars
- Six #8, self-tapping, sheet metal screws
- Four flat washers (Two for X-400)
- Two wire connectors
- Four vinyl extrusions (X-11Q Only)

UNPACKING

1. Remove the intake grille (center grille) by turning the quarter turn fasteners.
2. Take out the prefilter.
3. Remove the electronic cells by turning the two retaining turnstile latches, then raise the cell off the hooks.
4. Remove the mounting bars from inside the cabinet. For X-11Q only: Unplug the power module from the air cleaner before attempting to complete removal. Unscrew and remove the power module (see FIGURE 3). Hint: Tilt the power module away from the air cleaner to facilitate removal.
5. Lift the air cleaner out of the box.

PREPARATION

The Model X-11Q and X-400 Air Cleaners are designed to be installed within a T-bar drop ceiling. For the X-11Q, remove tiles from the ceiling to open an area 23" [583.76 mm] x 47" [1192.89 mm] (one 2' [0.61 m] x 4' [1.22 m] ceiling tile) to accommodate the air cleaner. For the X-400, remove tiles from the ceiling to open an area 23" x 23" [583.76 mm x 583.76 mm] (one 2' [0.61 m] x 2' [0.61 m] ceiling tile) to accommodate the air cleaner. The area between the drop ceiling and the true ceiling must be free of obstructions such as pipes, ducts, etc. There must be at least 14" [355.33 mm] between the bottom of the T-bar and the true ceiling. Make sure the air cleaner will be oriented for good air circulation. The exhaust grilles can be disassembled and reassembled to provide alternate air patterns.

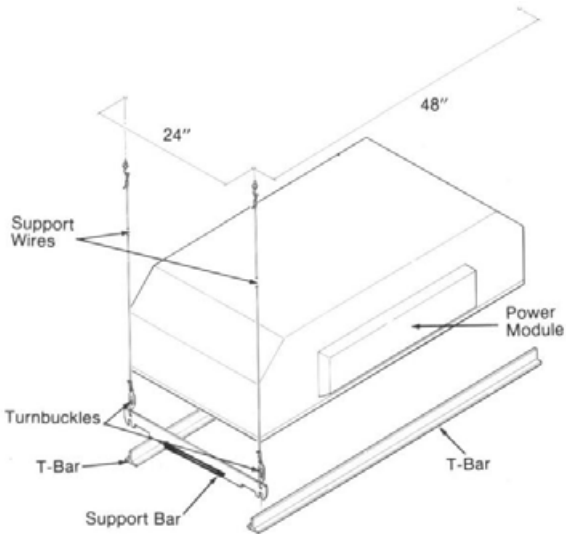


Figure 10 - X-11Q Support Bar Placement

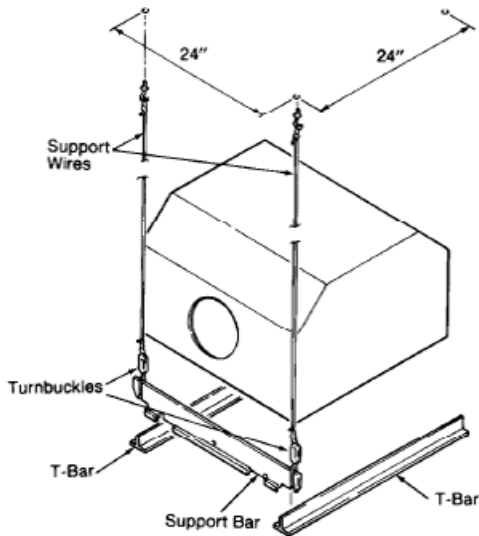


Figure 11 - X-400 Support Bar Placement

WARNING!

The following instructions are intended for qualified service personnel only. Dangerous line voltage circuits are exposed during this procedure. Disconnect power at the fuse before servicing unit. Air cleaner could fall from ceiling if improperly mounted. Installation instructions must be followed carefully to avoid injury to people and damage to equipment.

MOUNTING

1. Attach four 12-gauge, galvanized steel support wires to the true ceiling at the location shown in Figures 10 and 11. Twist each wire at least four times to provide safe support for the air cleaner. The free end of each wire should extend six inches or more below the bottom of the T-bars.
2. At the end of each opening, set a support bar across the T-bars. The "J" shaped portion of the support bars should be oriented so the hook side of the "J" is toward the opening (not toward the adjacent T-bars). See Figures 10 and 11.
3. Using an electric drill with a 1/8" [3.17 mm] drill bit, drill through the holes in the stepped portion of the support bars and through the T-bars. Attach the support bars to the T-bars with four #8, sheet metal screws provided.
4. Hook the turnbuckles to the support bars and then secure the support wires to the eyes of the turnbuckles (see Figures 10 and 11). Twist the wire at least four times.
5. Adjust the turnbuckles until the support bars are securely suspended by the support wires. Do not over tighten the turnbuckles to avoid lifting or buckling the T-bar framework.
6. Lift the air cleaner body into the opening and let the body drop into the J-shaped portion of the support bars.
7. Fasten the air cleaner body to the support bars using four #8, self-tapping screws and flat washers. The screws are installed through slots in the ends of the air cleaner into support bars. Adjust the location of the air cleaner relative to the support bars via slots prior to tightening of the screws.
8. For the X-11Q only, install U-shaped, vinyl extrusions around the perimeter of the air cleaner. Vinyl extrusions slip over the lip of the T-bar and trim out the air cleaner in the event of uneven gaps.

C-12 ELECTRICAL INSTALLATION

CAUTION!

Only persons qualified to install electrical wiring should attempt this procedure. All wiring must comply with applicable codes and ordinances.

WIRING

The 120V, 60 Hz C-12 has a standard 3-prong plug on a 10 foot [3 m] power cord. It requires only a standard grounded outlet for electrical power.

Route the power cord so that it will be out of the way of the building's occupants.

PERMANENT WIRING

To permanently wire the C-12 follow these instructions exactly. All wiring must comply with applicable codes and ordinances. Wire the C-12 using the built-in junction box as indicated in Figure 12.

It is recommended that No. 14 or heavier wire be used to complete the wiring from the junction box to the external power source. However, be sure to comply with local codes.

1. Open C-12 junction box cover (Figure 12).
2. Disconnect and discard the power cord, the solderless connectors and strain relief. Plug the power cord hole with the plug provided.
3. Run conduit from the power supply to the junction box through the appropriate knockout. Fish wires to junction box.

4. Connect lead wires with solderless connectors including ground (green) wires. Proper grounding of this device is mandatory for correct operation and safety.
5. Insert hole plug in the hole where power cord was removed.

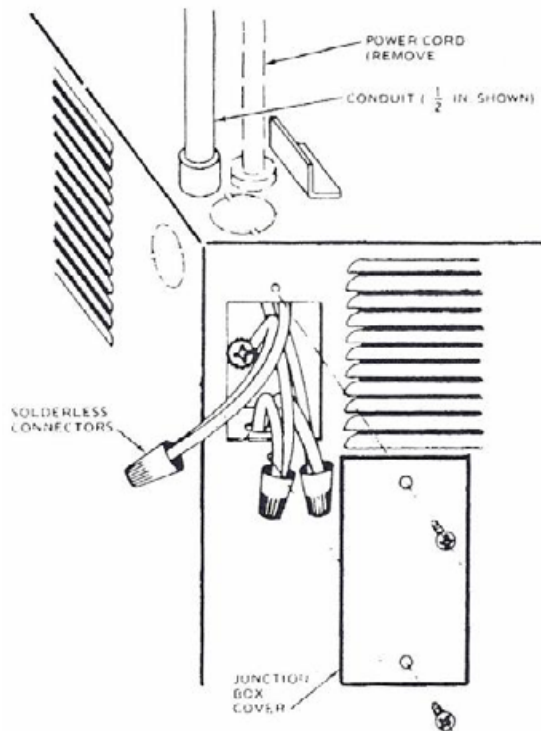


Figure 12 – C-12 Power Input

X-11Q and X-400 ELECTRICAL INSTALLATION

CAUTION!

Only persons qualified to install electrical wiring should attempt this procedure. All wiring must comply with applicable codes and ordinances.

1. Locate an unswitched 120V, 60 Hz or 220V, 50 Hz power circuit with a junction box near the air cleaner location.
2. Check the circuit breaker or fuse for that circuit and determine whether it is rated 15 Amps or 20 Amps (as marked on the device). The required copper wire size will be:
AWG #14 for 15 ampere circuits
AWG #12 for 20 ampere circuits
3. **CAUTION: Turn off the building circuit at the fuse or circuit breaker before proceeding.**
4. For the X-11Q, connect the black and white wires from the pigtails in the air cleaner junction box to the corresponding colors in the supply circuit (Figure 13 – for X-11Q or Figure 14 – for X-400).

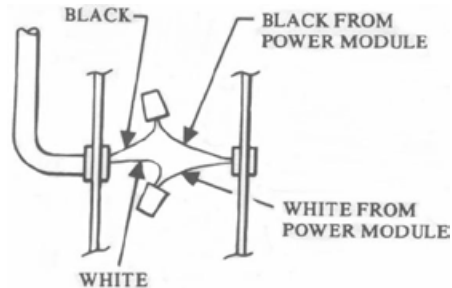


Figure 13: X-11Q Input Wiring

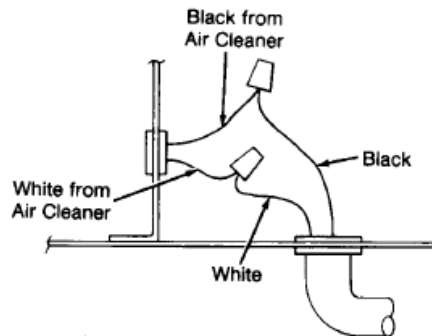


Figure 14: X-400 Input Wiring

5. Connect a green wire from the grounding terminal in the air cleaner junction box to the grounded conduit of the building wiring system. If the building does not have conduit, it will have a green or bare grounding conductor for connection to the air cleaner green wire. DO NOT connect the grounding wire from the air cleaner to the white wire of the building. The air cleaner frame must be electrically connected to the frame of the building or the electrical conduit system. Input electrical power should be run through flexible conduit as recommended by the National Electrical Code or your local authority.

X-11Q EXHAUST GRILLE ORIENTATION AND INSTALLATION

Each of the four louvered exhaust grilles can be oriented individually to provide an optimum airflow pattern. Simply unscrew the louvered grilles from the grille bars, rotate to any of three directions* and reattach grilles to bars. Screw exhaust grille assemblies to air cleaner (See Figure 15).



Figure 15: X-11Q Louver Orientation

*Orienting a louvered grille to blow air back toward the intake grille (fourth direction) is not recommended since good circulation of cleaned air in the room is defeated.

X-400 ASSEMBLY COMPLETION

1. Install the electronic cell.
2. Check to make sure the electronic cell is oriented for correct airflow. Arrows on the side of the cell should point up. The contact board needs to be properly seated.
3. Install the prefilter.
4. Install the grille by squeezing two of the mounting springs located along one side of the grille and inserting the 'legs' of the springs into the slots in the mounting bars. Be sure the grille is oriented so it will swing up and cover the air cleaner correctly. Swing the grille up and attach the remaining two springs to the other mounting bar. At this point, simply push the grille toward the air cleaner and the springs will pull the grille up into its final position. See Figure 16 for reference.
5. Turn electric power back on and make sure the fan runs on all three speed settings.
6. Press the test button. An audible snap indicates collection section of the cell is functioning.
7. Clean up the installation area.

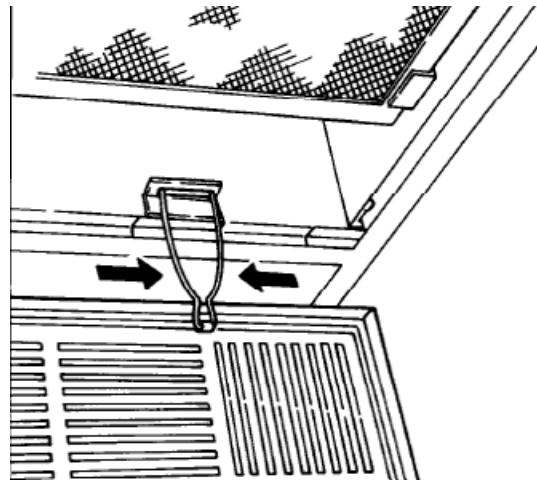


Figure 16: X-400 Grille Springs

CHECKOUT

1. Make sure the air cleaner is securely fastened to the true ceiling.
2. Replace the power module (X-11Q only) and reconnect the electronic plugs.
3. Check to make sure the electronic cells are oriented for correct airflow--arrows on side of cell should point up. The contact board on the cell should align with the contact board on the power module.
4. Make sure the intake grille opens easily and the electronic cells and the prefilter are secure in the unit.
5. Turn the electrical power back on.
6. Make sure the fan runs on all three-speed settings. The system light should be on when the fan is running.
7. Press the test button. An audible snap indicates the collection section of the cell is functioning.
8. Opening the intake grille stops the fan and turns out the system light.
9. Clean up surfaces of the air cleaner and the installation area.

NOTE: If the air cleaner does not appear to work right, refer to the Electrical Troubleshooting section.

OPERATING INSTRUCTIONS

SAFETY INTERLOCK SYSTEM - In order for all air cleaner functions to receive operating power, the grille must be securely in position. This actuates the safety interlock switch. The air cleaner will not function without the grille in place.

FAN SWITCH - Your electronic air cleaner has an Off-Low-Med-Hi switch. The electronic collection system and built-in fan are designed to run simultaneously. Turn off the air cleaner before opening the access door to remove the electronic cells for cleaning.

SYSTEM LIGHT - Your electronic air cleaner is equipped to tell you simply and quickly that it is working properly. The amber system light tells you at a glance the status of the power supply. The system light should be on when the unit is on.

TEST BUTTON - Pushing the white button labeled "push to test" generates a snapping noise that indicates proper function of the collector cells.

MAINTENANCE

CAUTION!

1. **BE EXTREMELY CAREFUL WHEN WORKING WITH THE ELECTRONIC CELLS AND FILTERS.** The edges of the cells and filter, and the collection plates and ionizing wires of the cell may be sharp.
2. **When cleaning the cells and filters, be sure to wear appropriate protective gear, especially goggles and gloves. Skin contact with alkaline detergent solution should be avoided. See warning label on detergent.**

WASHING THE ELECTRONIC CELLS AND PREFILTER - To maintain peak efficiency, the electronic cells and prefilter in your electronic air cleaner must be washed regularly with Air Quality Engineering's Detergent Concentrate. Washing is necessary to remove dirt particles collected from the air. The intake grille may be removed from the machine for periodic washing. A wash kit is available from Air Quality Engineering.

1. Fill wash tub with cell cleaning detergent and hot water per detergent manufacturer's instructions.
2. Immerse cells in the cleaner solution and remove immediately (see Figure 17).



Figure 17: Cell Washing Tub

3. Set cells aside for five minutes to allow the cleaner to penetrate.
4. Thoroughly rinse cells with very hot water. Make certain no residue remains.
5. Inspect collector plates for cleanliness. Repeat wash procedure, if necessary.
6. Using AQE Cell Coat (PN 45023) will allow better release of contaminant when washing.
7. Check the electronic cells for broken wires and bent collector plates. The cells may be installed in the air cleaner and energized. The indicator light may remain off during the normal two hour drying time. However, if annoying arcing occurs during this period, the cell may be removed to dry.
8. **CELL CLEANER IS REUSABLE. SAVE FOR REPEATED USE.** Replace cleaning solution when cells are no longer being effectively cleaned.
9. Remove lint from prefilter with vacuum cleaner or wash with mild detergent solution.

SERVICE

WARNING!

The following instructions are intended for qualified service personnel only. Dangerous line voltage circuits are exposed during this procedure. Disconnect the power at the fuse before servicing the unit.

MOTOR MAINTENANCE PROCEDURE

The manufacturer of the motor used in the air cleaner recommends oiling the motor at least once a year. The following procedure can be followed:

1. De-energize the unit.
2. Remove the prefilter and cells from the cabinet.
3. Remove the fan blade from the motor shaft.
4. Unscrew the four screws holding the motor mounting plate and lower the motor. **THE WIRING NEED NOT BE DISCONNECTED.**
5. There are two oil holes on the motor:
 - a. Near the motor shaft.
 - b. On the end opposite the motor shaft near the bearing plate.

Five drops of SAE 20 weight non detergent oil or electric oil in each hole is adequate. Wipe off the excess oil that misses or runs out of the oil holes. Replace the motor fan blade, cells and prefilters in the unit. Re-energize the unit and check it out to ensure proper operation.

MOTOR REPLACEMENT PROCEDURE

1. Disconnect the power at the fuse or circuit breaker.
2. Open the intake grille. Remove the cells to provide access to the motor.
3. Remove the fan blade from the motor.
4. Disconnect the fan motor leads at the plastic connector near the fan motor.

5. Remove the screws holding the motor to the unit to remove the motor.
6. Install the new motor, connect the electrical lines and replace the fan, cells, prefilter and grille.
7. Connect the power and check the new motor operation.

C-12 POWER SUPPLY REPLACEMENT PROCEDURE

1. Disconnect power from the unit.
2. Disconnect quick connect terminals from power supply. Unplug power supply wire harness.
3. Remove 4 screws holding power supply in place (on earlier units, remove nuts and washers from inside of cabinets).
4. Install new power supply.
5. Connect line voltage wires to power supply with plugs. **Wires with similar colors go together.** Next, connect the pink high voltage wires to the outside terminals on the contact board which are marked I. Attach the grey high voltage wires to the inside terminals marked C. Be certain that all wires are connected properly.
6. Reconnect power and test power supply with test button to be sure unit is operating properly.

X-11Q POWER SUPPLY REPLACEMENT PROCEDURE

1. Disconnect the power at the fuse or circuit breaker.
2. Open the intake grille and remove the cells.
3. Disconnect the three-wire power input plug and the six-wire motor control plug from the power module.
4. Remove the two sheet metal screws holding the power module to the cabinet and allow the

power module to swing forward and drop down.

5. With the power module on a workbench, remove the back cover from the power module by removing eight sheet metal screws.
6. Disconnect the dark gray (P4) and the pink (P3) high voltage wires from the power supply and unplug the plastic connector.
7. Cut the wire ties holding the power supply wire harness to the power module.
8. Remove the four nuts and washers holding the power supply in place and remove the power supply.
9. Mount the new power supply in place, reconnect the high voltage wires and reconnect the plastic connector.
10. Use wire ties and re-tie the wires in place.
11. Replace the back cover of the power module.
12. Reinstall the power module in the air cleaner and reconnect the two plastic plugs to the power module.
13. Replace the electronic cells and close the intake grille.
14. Reconnect the power. Push the test button and check to be sure that the unit is operating properly.

X-400 POWER SUPPLY REPLACEMENT PROCEDURE

1. Disconnect power at fuse or circuit breaker.
2. Open service grille and remove prefilter and cell.
3. Remove six Phillips head screws holding the electrical cover in place. Disconnect the two high voltage wires from the back of the cell contact board assembly and lay the electrical cover aside.
4. Disconnect:
 - a. White wire from power supply.
 - b. Black wire from power supply.

c. Charcoal/grey and pink high voltage wires (one each) at power supply.

5. Cut wire ties holding the above wires to the air cleaner.
6. Remove 4 screws holding power supply in place and remove power supply.
7. Mount new power supply in place reconnect wiring.
8. Reconnect the high voltage wires and reinstall the electrical cover.
9. Replace the electronic cell and prefilter.
10. Close service grille.
11. Reconnect power and test power supply with test button to be sure unit is operating properly.

IONIZING WIRE REPLACEMENT

The ionizing wires in the charging section of the electronic cell may break or become damaged. Inspect the cell from the upstream side after washing to make sure that none of the wires are broken or out of position. During operation, a broken or deformed wire generally causes a short to ground, possibly with visible arcing or sparking. This condition, or any other short in the ionizing section of the cell, will cause the indicator light to go out.

Broken wires must be replaced for the air cleaner to function effectively without arcing. Remove all parts of the broken wire. If necessary, the cell may be temporarily used with one wire missing.

1. Use care to avoid damage to the spring connector or other parts of the cell during the installation.
2. Hook one end of the ionizing wire over the spring connector at one end of the cell.
3. Hold the opposite eyelet with a needle-nose pliers and stretch the wire the length of the cell. Depress the opposite spring connector and hook the eyelet over it (see Figure 18 for a reference).

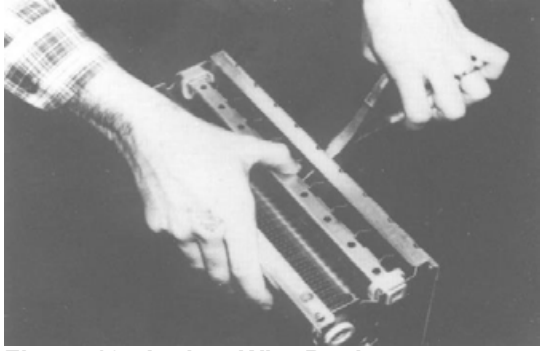
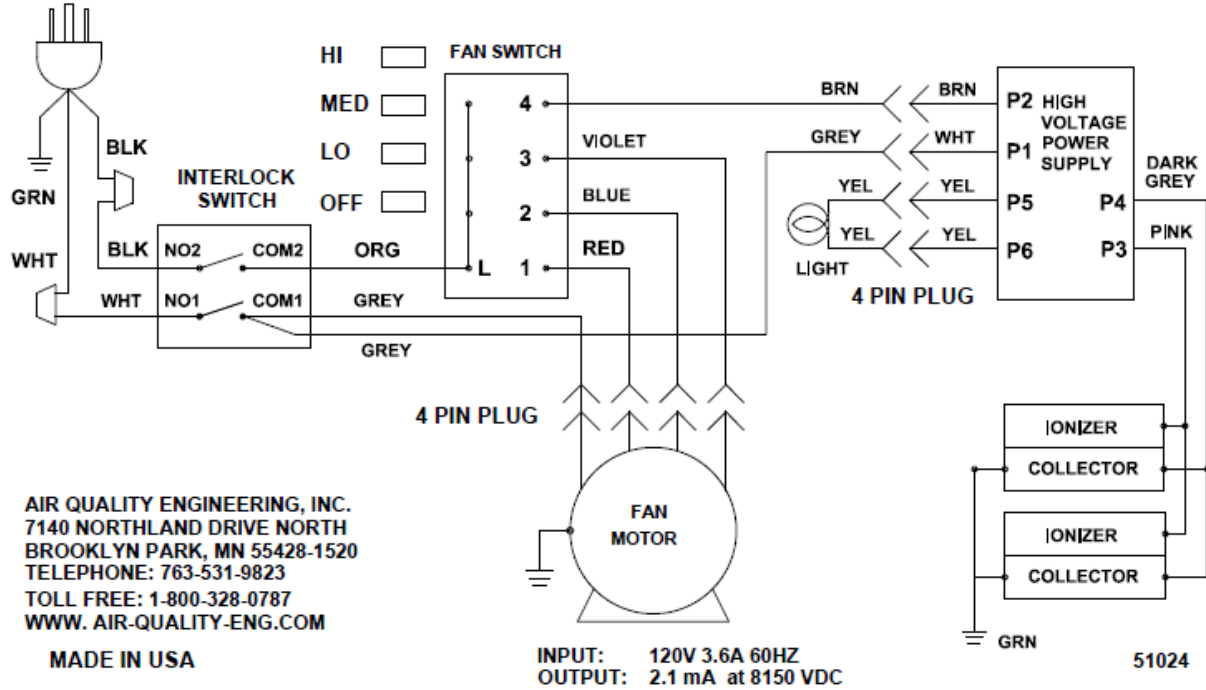


Figure 18: Ionizer Wire Replacement

C-12 ELECTRICAL SCHEMATIC

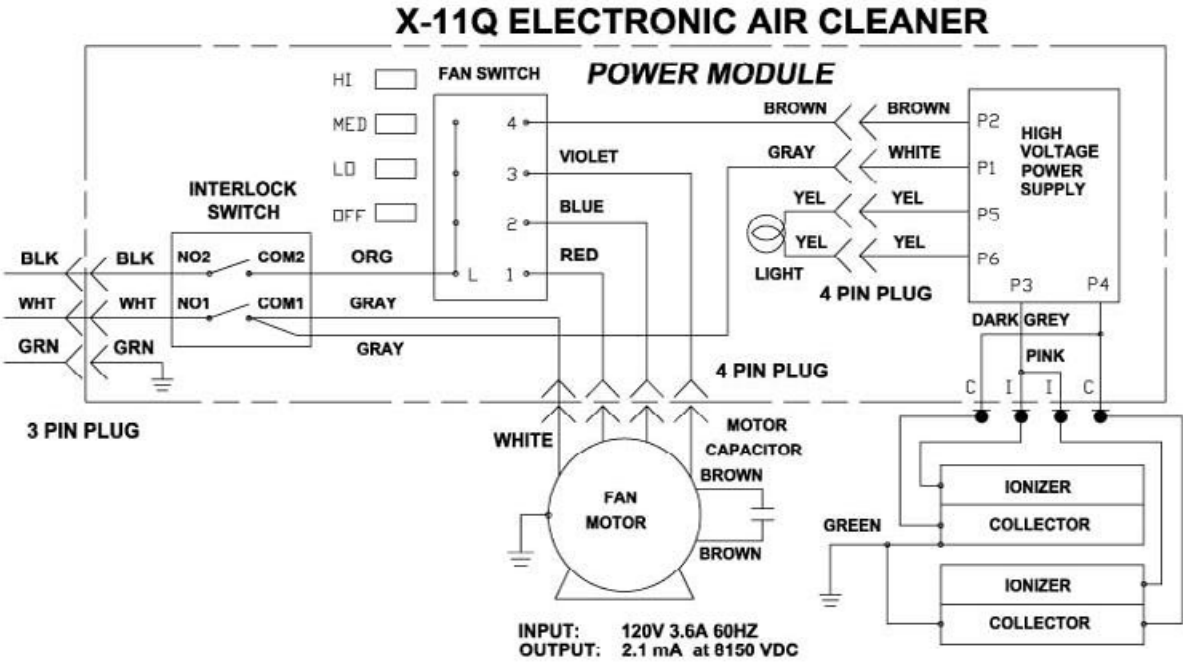
SMOKEMASTER® C-12 ELECTRONIC AIR CLEANER



AIR QUALITY ENGINEERING, INC.
 7140 NORTHLAND DRIVE NORTH
 BROOKLYN PARK, MN 55428-1520
 TELEPHONE: 763-531-9823
 TOLL FREE: 1-800-328-0787
 WWW.AIR-QUALITY-ENG.COM

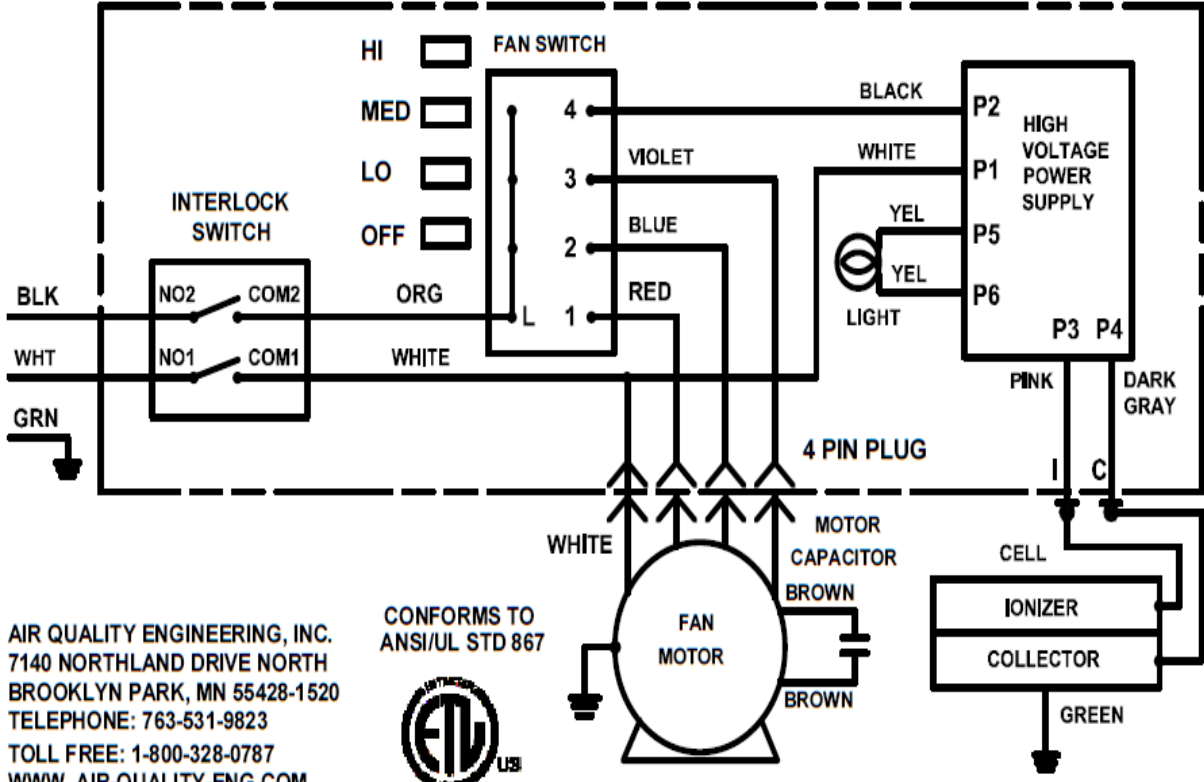
MADE IN USA

X-11Q ELECTRICAL SCHEMATIC



X-400 ELECTRICAL SCHEMATIC

X-400 ELECTRONIC AIR CLEANER



AIR QUALITY ENGINEERING, INC.
 7140 NORTHLAND DRIVE NORTH
 BROOKLYN PARK, MN 55428-1520
 TELEPHONE: 763-531-9823
 TOLL FREE: 1-800-328-0787
 WWW.AIR-QUALITY-ENG.COM

MADE IN USA

CONFORMS TO
 ANSI/UL STD 867



45978

INPUT: 120V .70A 60HZ
 OUTPUT: 2.1 mA at 8150 VDC

51411

ELECTRICAL TROUBLESHOOTING

WARNING!

The following instructions are intended for qualified service personnel only. Dangerous line voltage circuits are exposed during this procedure. Disconnect the power before servicing the unit.

Check circuit fuse or breaker. Correct if fuse is blown or breaker is tripped.

Be sure the electronic cells are in place, the intake grille is closed and the unit is turned on.

ARCING

From time to time, you may hear a snapping noise coming from the electronic air cleaner. This arcing occurs when the air cleaner collects an unusually large particle or when the cells are wet, extra-ordinarily dirty or damaged.

If an unusual amount of arcing persists, check first to determine if the electronic cells need washing. Look also for any sign of bent collector plates or broken ionizer wires.

If arcing still occurs when the cell is clean and dry, consult your Air Quality Engineering, Inc., representative or dealer for repair.

PROBLEM 1

FAN OFF
LAMP OFF

1. Make sure the supply cord is plugged into a standard receptacle.
2. Make sure there is voltage to the receptacle by using any other electric device.
3. Make sure the top access cover is properly in place in order to actuate the interlock switch.

PROBLEM 2

FAN ON
LAMP OFF

1. If the fan is on and the light is out, the problem is with the electronic cell or high voltage power supply.
2. To determine which component is faulty...
 - Remove the electronic cell, and operate the air cleaner. If the light does not come on, then the high voltage power supply will have to be replaced.
3. If the indicator light does come on, the problem is with the electronic cell. Check the cell for:
 - a. Bent collector plates. Straighten and space the plates using a needle nose pliers.
 - b. Check for missing ionizer wires. Replace the missing wires.
 - c. Check for dirty buildup on the collector plates and the insulators. Wash the cell thoroughly.

PROBLEM 3

FAN OFF
LAMP ON

1. Check the motor on all three speeds. Be certain that the control buttons are pushed in all the way.
2. If the light is on and the fan is off. The motor will have to be replaced.

Notes:

Notes:

CERTIFICATE OF WARRANTY

ONE - YEAR LIMITED WARRANTY

Air Quality Engineering, Inc., warrants to the original purchaser, subject to the conditions below, that should the product covered by this warranty ("product") fail to perform by reason of improper workmanship or material, Air Quality Engineering, Inc., (AQE) will, during the period of one (1) year from the date of original purchase either (i) replace the Product or (ii) provide all necessary parts to repair the Product, without charge. The decision to replace the Product or the necessary parts shall rest solely with AQE. This one-year limited warranty does not apply to main filter elements. Air Quality Engineering, Inc., will replace without charge the main filter elements during the period of thirty (30) days from the date of original purchase if the main filter elements fail to perform by reason of improper workmanship or material. This warranty is valid only under the following conditions:

CONDITIONS

1. **AUTHORIZATION:** Purchaser will contact Air Quality Engineering, Inc., 800-328-0787, for authorization, returned goods authorization number (RGA) and shipping address. AQE will direct purchaser to either return the necessary parts or the Product at AQE's option.
2. **PROPER DELIVERY:** The shipping, freight prepaid, or delivery of the parts or the Product to Air Quality Engineering, Inc., in either its original carton or in a carton assuring similar protection of the Product with returned goods number (RGA) clearly displayed on the outside of the carton.
3. **UNAUTHORIZED REPAIR:** A showing by the original purchaser that the Product has not been altered, repaired or serviced by anyone other than an authorized service technician using genuine AQE parts.
4. **UNAUTHORIZED PARTS:** A showing by the original purchaser that the Product has had only genuine Air Quality Engineering, Inc., parts and filters used in its operation and maintenance.
5. **SERIAL NUMBER INTACT:** A showing by the original purchaser that the Serial Number has not been altered or removed.
6. **MISUSE:** A showing by the original purchaser that the Product has not been involved in an accident, freight damaged, misused, abused or operated contrary to the instructions contained in the Owner's Manual.

Air Quality Engineering, Inc.'s, sole responsibility shall be to repair or replace the Product within the terms stated above. AQE shall not be liable for any consequential damages resulting from and breach of warranty, express or implied, applicable to the Product. Some states do not allow the exclusion or limitation of consequential damages so this limitation may not apply to you.

THIS WARRANTY IS IN LIEU OF ALL OTHER WARRANTIES, EXPRESS OR IMPLIED, INCLUDING THE WARRANTIES OF MERCHANTABILITY AND FITNESS FOR A PARTICULAR PURPOSE. Some states do not allow limitations on how long an implied warranty lasts so the above limitation may not apply to you.

This warranty gives you specific legal rights and you may also have other rights that vary from state to state.

AIR QUALITY ENGINEERING, INC.
7140 NORTHLAND DRIVE NORTH
MINNEAPOLIS, MINNESOTA 55428

TOLL FREE: 1.800.328.0787
TELEPHONE: 763.531.9823
FAX: 763.531.9900

MANUFACTURER & WORLDWIDE DISTRIBUTOR OF SMOKEMASTER® AIR CLEANING SYSTEMS

PN 51414 Rev. C

Printed in the USA

These air cleaners have not been tested for compliance to California Air Resource Board requirements and are not available for sale, resale or installation in California.