



INSTALLATION DATA

J10-808 AND J10-821

HUMIDISTAT

Application

The J10 Series humidistat will control the automatic operation of a low voltage (24V) humidifier placed in a warm-air duct of a forced-air furnace.

Installation Instructions

Disconnect the electrical power. Determine the humidistat location. The control can be wall mounted in the living area beside the furnace thermostat or it can be mounted directly in the cold air return duct of the furnace. Wall mounting provides extra convenience; however duct mounting allows the control to sense the air returning from all living areas and provides better overall humidity control.

Wall Mounting (Figure 1)

1. Turn the electrical power off.
2. Determine the humidistat location. This control should be mounted on an inside wall where normal air circulation is present. For most residential applications, locate the control adjacent to the existing wall thermostat for easy installation and wiring.
3. Remove the cover from the back plate and punch the wiring knockout on back plate.
4. Place the back plate on a flat mounting surface. Mark two mounting hole locations, and the wire knockout hole.
5. Drill $\frac{3}{16}$ " diameter holes for drywall anchors (if needed) and insert dry wall anchors.
6. Drill $\frac{1}{2}$ " diameter hole for low voltage wires. Pull the wiring through the access hole and through the back plate.
7. Mount the back plate securely to the wall with screws provided in the parts package. **NOTE: Make sure the back plate is flat without any undue stress.**
8. Connect wires to Terminals #2 and #3. Wires should not be taut after connection. **NOTE: All wiring should conform to NEC recommendations and any local codes.**
9. Re-install the front cover.
10. Turn the electrical power back on.

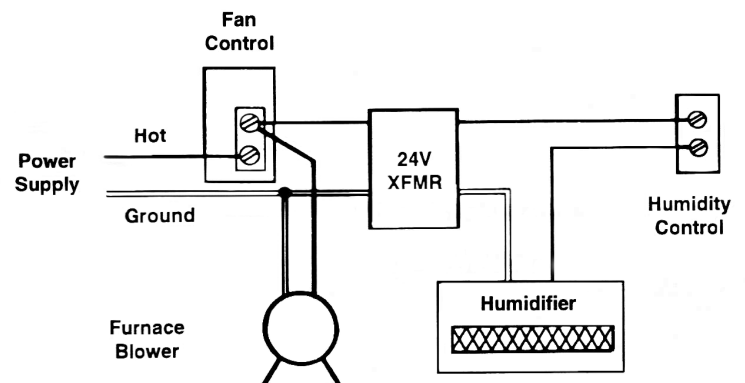
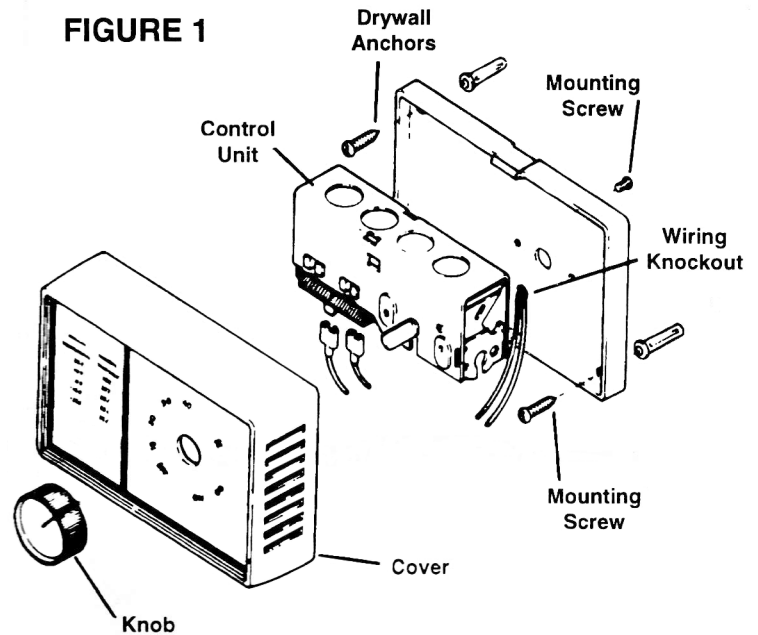
Operation Test

1. Cycle the humidistat at least three times to assure proper function.
2. Check ambient humidity level with a sling psychrometer. Too high humidity levels may cause damage to the building.

CAUTION: The furnace blower must be operating before the humidifier is activated.



FIGURE 1



Duct Mounting (Figure 2)

1. Turn the electrical power off.
2. Remove the knob and cover from the back plate (knob pulls off).
3. Remove the control module from the front of the back plate and mount on the reverse side.
4. Connect the shaft extension to the control module (through back plate).
5. Place the template on a vertical flat surface of the return air plenum.
6. Mark and drill mounting holes.
7. Cut out the section of the plenum to allow the control module to pass through.
8. Break off the wiring tab on back plate.
9. Attach 24V wires to Terminals #2 and #3. **NOTE: All wiring should conform to NEC recommendations and any local codes.**
10. Secure the back plate to the plenum (screws provided). Direct all wires through the wiring slot, but do not pull wires too tightly. Make sure the back plate is flat and is not under any undue stress.
11. Re-install the front cover and knob.
12. Turn the electrical power back on.

Operation Test

1. Cycle the humidistat at least three times to assure proper function.
2. Check ambient humidity level with a sling psychrometer. Too high humidity levels may cause damage to the building.



CAUTION: The furnace blower must be operating before the humidifier is activated.

FIGURE 2

