



**GENERAL FILTERS**  
INCORPORATED

**MHX3C**  
Manual Humidistat

**Humidistat**  
Residential Whole-House (GFI #7038)



**Breathe Healthier**



Designed & Assembled  
in Michigan, USA

## Climate Control Technology

- Contemporary Design For Living Space Mounting
- Manual Control
- Easy To Operate
- Accurate
- Quick, Easy Installation
- Wall or Duct Mount
- Use As Dehumidistat With Optional Dehumidistat Dial
- One-Year Warranty



General Filters, Inc.  
43800 Grand River Avenue  
Novi, Michigan 48375  
Toll Free: (866) 476-5101  
www.generalaire.com



Canadian General Filters, Ltd.  
400 Midwest Rd.  
Toronto, ON M1P3A9 Canada  
Toll Free: (888) 216-9184  
www.cgfproducts.com





**How the MXH3C Works**

The humidistat works on a very simple principal. Any variation in the relative humidity level will cause an electrical resistance between the two sets of conductors on the sensing element. Because there are alternating metal conductors, the amount of electrical resistance between the two can be accurately predicted based on the relative humidity. This resistance is measured by the relay amplifier. When the electrical resistance indicates that the humidity level is below the desired level, the relay will turn the humidifier on to raise the humidity level. When the proper humidity level is reached, judged by the electrical resistance between the conductors, the relay will turn the humidifier off.

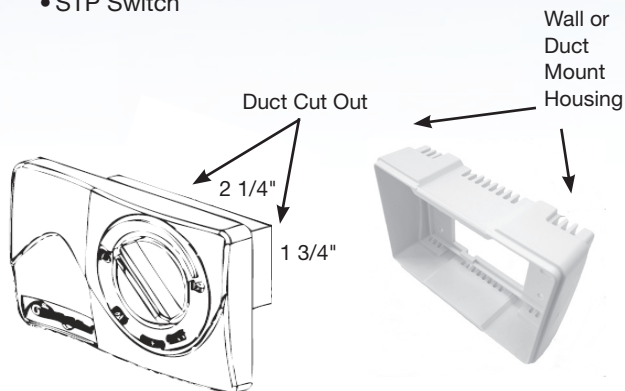
- Turn towards the 75 for more humidity.
- Turn towards the 10 for less humidity.

**The MXH3C is Included with all GeneralAire® Legacy, Elite and Drum Model Humidifiers**



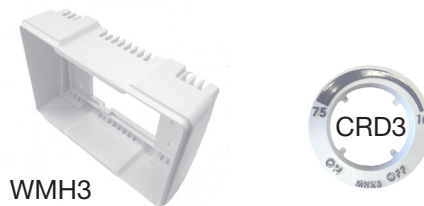
**Specifications**

- Humidity Range: 10% - 85%
- 30 VAC, 60 VAC
- 120 V
- Duct Cut-Out Dimensions: 2 1/4" x 1 3/4"
- Color: Light Beige
- Mounting Screws Included
- STP Switch



**Accessories / Replacement Parts**

- CRD3 Comfort Dial (GFI #7058)
- DHD3 Dehumidistat Dial (GFI #7061)
- WMH3 Wall Mount Housing (GFI #7053)



General Filters, Inc.  
43800 Grand River Avenue  
Novi, Michigan 48375  
Toll Free: (866) 476-5101  
www.generalfilters.com



Canadian General Filters, Ltd.  
400 Midwest Rd.  
Toronto, ON M1P3A9 Canada  
Toll Free: (888) 216-9184  
www.cgfproducts.com