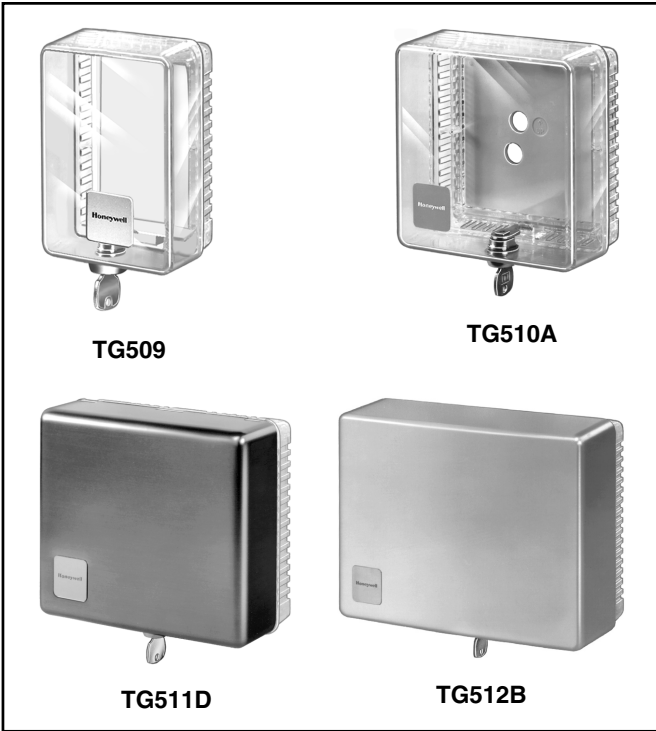


TG509, TG510, TG511, TG512 Versaguard™ Universal Thermostat Guards

PRODUCT DATA



FEATURES

- Available in four sizes: mini, small, medium and large, to fit virtually all thermostats.
- Used in both new and existing applications.
- Constructed of smoke-colored transparent polycarbonate, off-white opaque polycarbonate, opaque plastic, clear plastic or off-white painted steel.
- Opaque plastic guards match commercial interior decorating schemes.
- Can be mounted on the wall or an exposed junction box.
- Smoke-colored transparent or off-white opaque polycarbonate ring base without wallplate, or opaque plastic wallplate and plastic ring base. All models include a guard cover, tumbler lock, two keys and a Honeywell logo insert.
- TG509F,G models permit thermostat calibration without ring base removal.
- Provision for Honeywell logo (included with all models) or OEM logo on guard cover.
- Ideal for office areas, lobbies, supermarkets, restaurants, clinics, hospitals, convenience stores, and similar applications.
- Tamper-resistant lock; key can be removed only when in the locked position.
- Vertical or horizontal mount.
- Guard base vents allow airflow for optimum thermostat performance.

GENERAL

The Versaguard™ Universal Thermostat Guards cover wall thermostats and protect against tampering, damage and unauthorized adjustment of thermostat settings.

CONTENTS

General	1
Features	1
Specifications	2
Ordering Information	2
Installation	6
Checkout	11



SPECIFICATIONS

IMPORTANT

The specifications listed in this publication do not include normal manufacturing tolerances. Therefore, this unit may not exactly match the listed specifications. Also, this product is tested and calibrated under closely controlled conditions, and some minor differences in performance can be expected if those conditions are changed. For exact engineering specifications, contact your Honeywell representative.

TRADELINE® Models:

TRADELINE® models are selected and packaged for ease of stocking, ease of handling, and maximum replacement value.

TRADELINE® Models Available:

TG509F Versaguard™ Universal Thermostat Guard:
transparent polycarbonate cover (smoke tint) ring base and allen wrench.

TG509G Versaguard™ Universal Thermostat Guard:
opaque polycarbonate cover (off-white) ring base and allen wrench.

TG510A, TG511A, TG512A Versaguard™ Universal Thermostat Guards: clear plastic cover, opaque plastic wallplate and clear plastic ring mounting base.

TG510B, TG511B, TG512B Versaguard™ Universal Thermostat Guards: opaque plastic cover, opaque plastic wallplate and opaque plastic ring mounting base.

Standard Models:

TG510D, TG511D, TG512D Versaguard™ Universal Thermostat Guards: painted steel cover (off-white), opaque plastic wallplate and opaque plastic ring mounting base.

Additional Features:

TRADELINE® and Standard Versaguard™ Universal Thermostat Guards include Honeywell logo insert (field-installed), mounting template, screws, anchors and tumbler lock with two keys.

See Tables 1 and 2 for thermostat guard applications.

Accessory:

191990A Replacement Keys (2); can also be used with TG500 and TG502 Thermostat Guards.

ORDERING INFORMATION

When purchasing replacement and modernization products from your TRADELINE® wholesaler or your distributor, refer to the TRADELINE® Catalog or price sheets for complete ordering number, or specify:

1. Order number.
2. Transparent (smoke tint) or opaque (off-white) polycarbonate (TG509 models only), clear or opaque plastic, or painted steel cover (off-white).
3. Accessory.

If you have additional questions, need further information, or would like to comment on our products or services, please write or phone:

1. Your local Honeywell Home and Building Control Sales Office (check white pages of phone directory).
2. Home and Building Control Customer Relations
Honeywell, 1885 Douglas Drive North
Minneapolis, Minnesota 55422-4386

In Canada—Honeywell Limited/Honeywell Limitee, 35 Dynamic Drive, Scarborough, Ontario M1V 4Z9. International Sales and Service Offices in all principal cities of the world. Manufacturing in Australia, Canada, Finland, France, Germany, Japan, Mexico, Netherlands, Spain, Taiwan, United Kingdom, U.S.A.

Table 1. TG509 Thermostat Guard Applications.

Thermostat	TG509 (Fig. 1)
HONEYWELL	
TP970	●
TP971	●
TP972	●
TP973	●
TP974	●
T7660	●
TP9600 Series	●
JOHNSON	
T4002	●
T4100	●
T4506	●
T4756	●
T5002	●
POWERS	
TH192	●
TH193	●
TH194	●
TT184	●
ROBERTSHAW	
Original	
T12	●
T13	●
T18	●
T19	●
T23	●
T27	●
T32	●
T33	●
T34	●
T35	●
Uniline	
2211	●
2212	●
2214	●
2216	●
2218	●

Table 2. TG510, TG511, TG512 Thermostat Guard Applications.

Thermostat	TG510 (Fig. 2)	TG511 (Fig. 3)	TG512 (Fig. 4)
HONEYWELL			
T87/Q539	● ^a		● ^c
T451		●	
T498		●	
T631		●	
T641		●	
T651		●	
T694		●	
T810		●	
T822		● ^b	
T834		● ^b	
T841		●	
T874/Q674		● ^a	
T4039		●	
T6051A		●	
T6052		●	
T7047		●	
T8034		●	
T42			●
T92			●
T921			●
T7200			●
T7300/Q7300			●
T7400			●
T8082/Q682			●
T8085/Q682			●
T8090/Q682			●
T8195/Q682			●
T8600			●
T8601			●
T8602			●
T8603			●
T8611			●
T8621			●
T8624			●
T8631			●
TP970	●		
W884			●
Y594		●	

**Table 2. TG510, TG511, TG512
Thermostat Guard Applications (Continued).**

Thermostat	TG510 (Fig. 2)	TG511 (Fig. 3)	TG512 (Fig. 4)
ITT GENERAL			
T199	●		
T80		●	
T90		●	
T91		●	
T330 SERIES		●	
T340 SERIES		●	
ENERSTAT			
DSP100—DSP700		●	
ET52			●
HC-7			●
HP-1			●
K3-WN			●
K4-W			●
MS-1N			●
HP-2			●
ROBERTSHAW			
TX400	●		
500 SERIES		●	
300-610			●
300-620			●
300-630			●
300-642			●
WHITE RODGERS			
1C-30		●	
1C-31		●	
1C-70		●	
1D-30		●	
1D-35		●	
1D-36		●	
1E-30		●	
1E-31		●	
1E-35		●	
1E-36		●	
1E-56		●	
1F-30		●	
1F-56		●	
1F-57		●	
1F-58		●	
1F-60			●
1F-62			●
1F-70			●

**Table 2. TG510, TG511, TG512
Thermostat Guard Applications (Continued).**

Thermostat	TG510 (Fig. 2)	TG511 (Fig. 3)	TG512 (Fig. 4)
WHITE RODGERS			
1F-72			●
1F-75			●
1F-76			●
1F-90			●
1F-91			●
1F-92			●
1F-93			●
1F-94			●
1F-95			●
1F-97			●
AMERICAN STABILIS			
R-90		●	
R-100		●	
R-105		●	
R-106		●	
HP-1			●
HP-10			●
HP15/20/22			●
HP100			●
HP150/200/220			●
HP1000			●
HP1500/2000/3000			●
HP2001			●
SIMPLESTAT			●
COLUMBUS ELECTRIC			
RSH-420A		●	
RSV-420		●	
HPC SERIES			●
SECO			
TA-2000		●	
TM-1000		●	
TM-1400		●	

^a Use TG512 for thermostat wallplate with dealer logo.

^b Turn TG511 90 degrees to fit thermostat wallplate with dealer logo.

^c Fits T87F The Round® Thermostat with decorator wallplate.

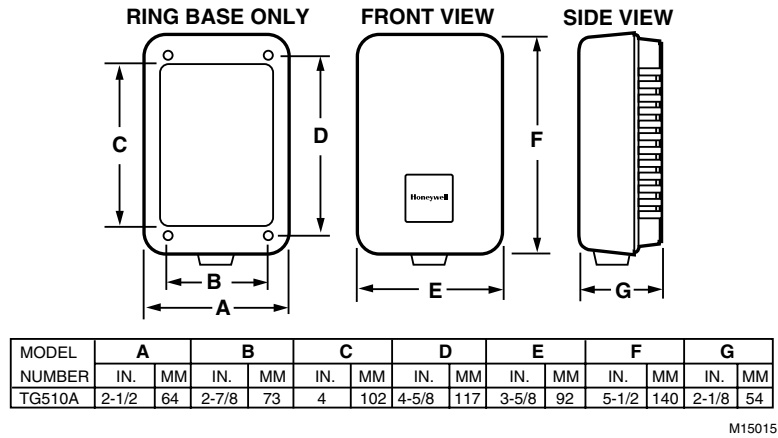


Fig. 1. TG509 overall dimensions.

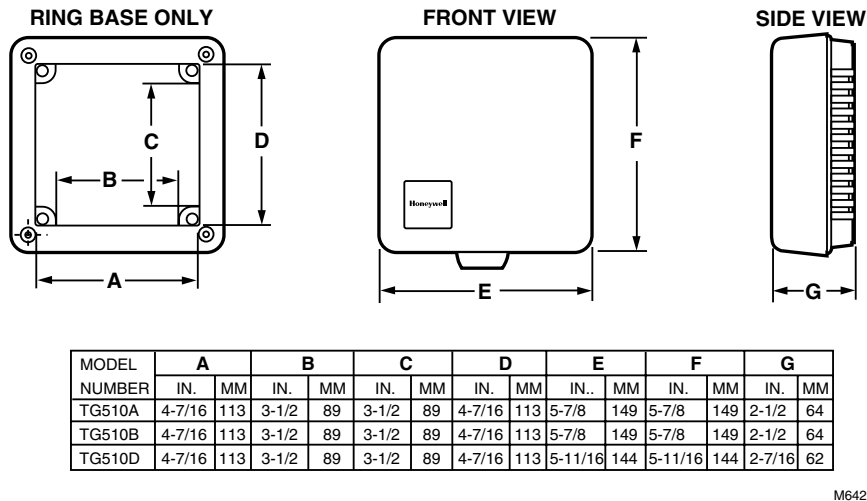


Fig. 2. TG510 overall dimensions.

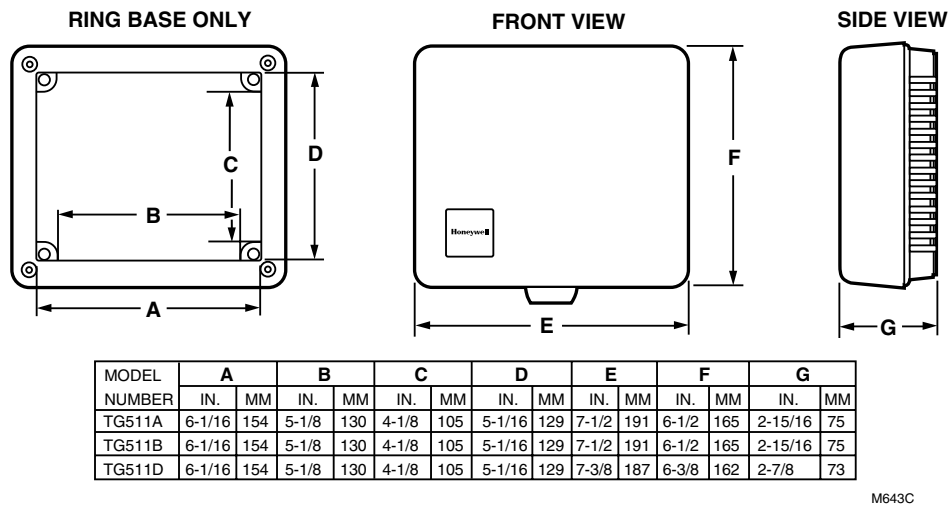


Fig. 3. TG511 overall dimensions.

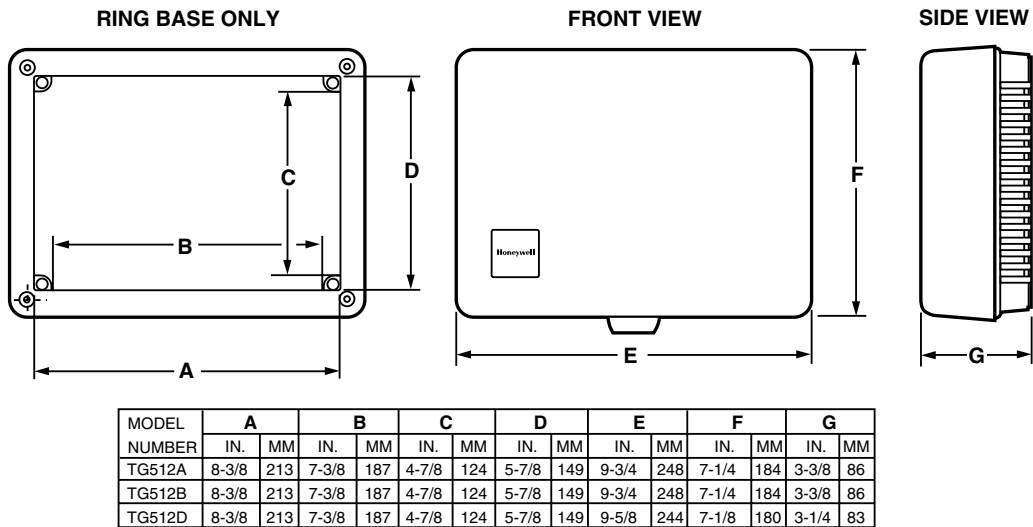


Fig. 4. TG512 overall dimensions.

INSTALLATION

When Installing this Product...

1. Read these instructions carefully. Failure to follow them could damage the product.
2. Check the dimensions given in the instructions and on the product to make sure the product is suitable for your application.

The Versaguard™ Universal Thermostat Guards can be used in new or existing thermostat applications. In existing thermostat applications, the guard can be installed without removing the thermostat from the wall. In these applications, the thermostat guard is used without the solid wallplate (only ring base and cover are used). In new thermostat applications, the guard can be used with or without the solid wallplate. The wallplate is typically used to cover mounting marks from the old thermostat.

Refer to the following sections for specific mounting procedures for thermostat guard applications.

Mount Thermostat Guard Without Wallplate (Fig. 5 and 6)

- 1 Place the ring base over the thermostat (and wallplate, subbase or adaptor plate) on the wall.
- 2 Align the ring base with the thermostat and level approximately.
- 3 Mark the four mounting holes.

NOTE: Do not use the four brass screws for mounting the TG509. The brass screws are intended for models with wallplates only.

- 4 Mount the ring base on the wall using the four no. 6 sheet metal screws and four anchors provided as shown in Fig. 5 for the TG509 and Fig. 6 for the TG510, TG511 and TG512.

- 5 Mount the guard cover by placing the hinged edge of the guard cover on the ring base and swinging it down (horizontal mounting) or to the side (vertical mounting) until the guard cover is in place against the ring base. See Fig. 7.
- 6 Lock the thermostat guard by turning the key (provided) counterclockwise. See Fig. 8. The key can be removed only in the locked position.
- 7 Remove the paper backing and clear protective cover from the included monogram and place the monogram in the recessed area on the guard cover. See Fig. 9.

NOTE: The TG509F,G Thermostat Versaguards™ are shipped with an allen wrench secured in the top notch of the ring base. When thermostat calibration is needed, remove the Versaguard cover and use the wrench to remove the top two allen screws in the thermostat cover. This allows servicing of the thermostat while the ring base is in place.

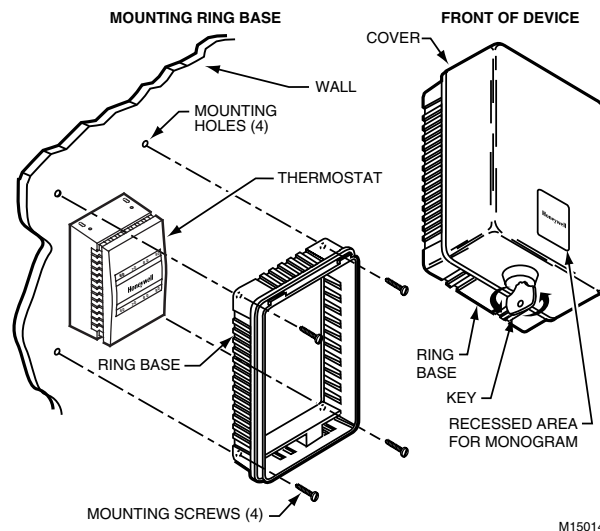


Fig. 5. Mount TG509 ring base only in existing thermostat applications. TG509 guard cover, lock, monogram area.

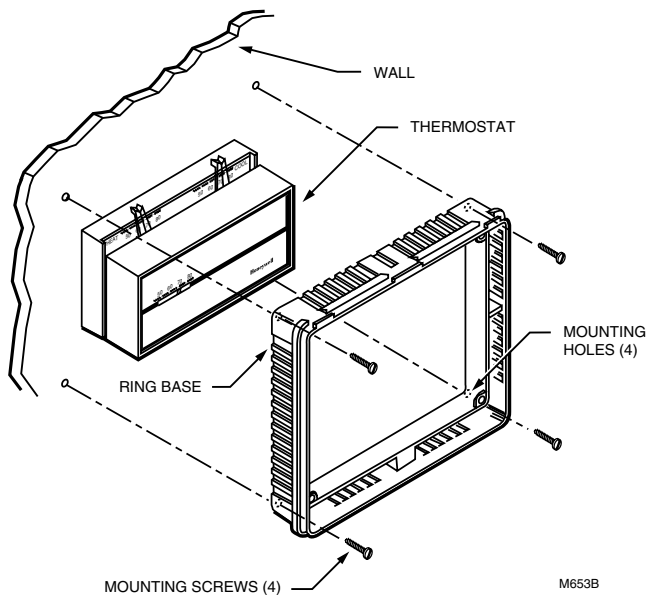


Fig. 6. Mount TG510, TG511 and TG512 ring bases only in existing thermostat applications.

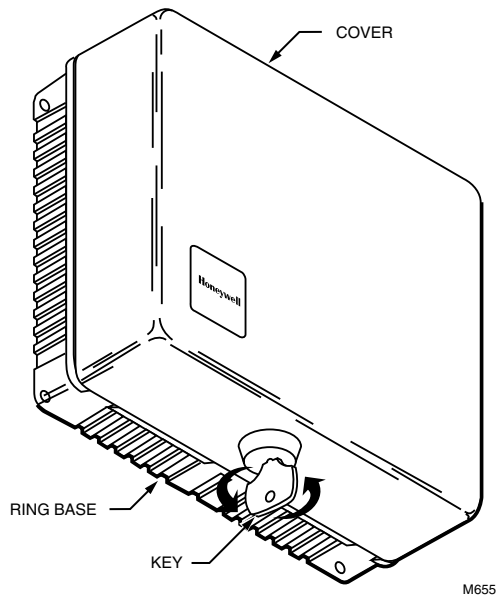


Fig. 8. Lock thermostat guard (TG510, TG511, TG512 shown).

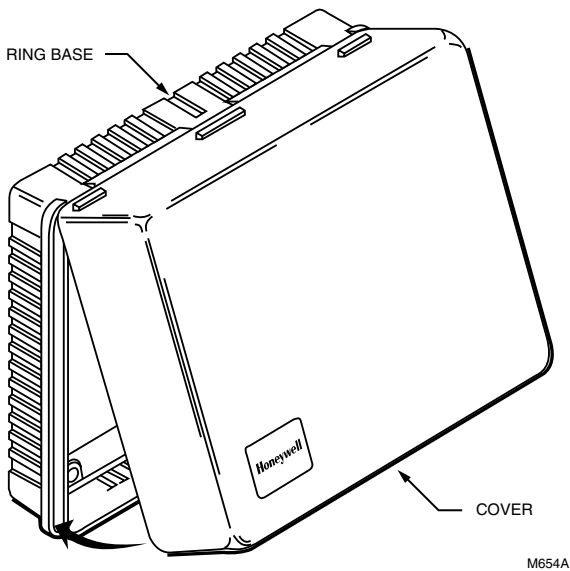


Fig. 7. Mount guard cover (TG510, TG511, TG512 shown).

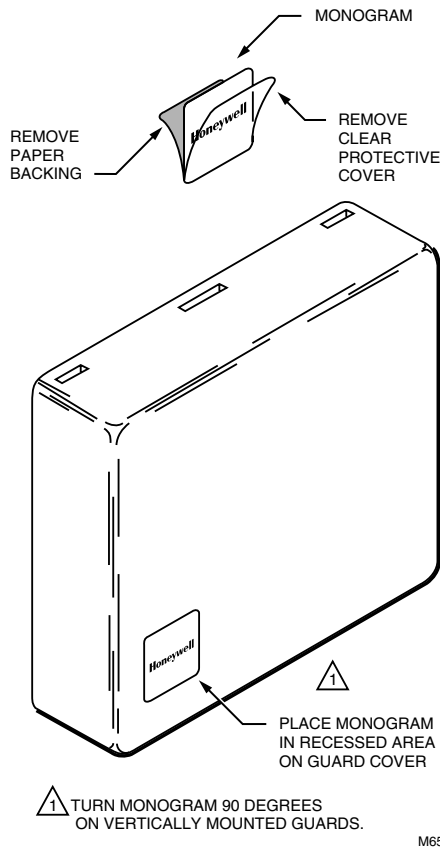


Fig. 9. Apply monogram to thermostat guard (TG510, TG511, TG512 shown).

Mount Thermostat Guard With Wallplate

CAUTION

Disconnect power supply to prevent electrical shock or equipment damage.

Wall Mounting Front-wired Subbase (Fig. 10)

- 1 Place the thermostat subbase (or wallplate) on the wallplate template and mark the mounting holes.
- 2 Locate the mounting holes on the guard wallplate using the template as a guide.
- 3 Drill the required 5/32 in. mounting holes in the guard wallplate.

NOTE: If the mounting hole pattern on the guard wallplate does not match the pattern on the thermostat subbase or wallplate, drill additional mounting holes in the guard wallplate.

- 4 Mount the thermostat subbase (or wallplate) and the guard wallplate to the wall using the 1-1/4 in. sheet metal screws provided with the thermostat. The guard wallplate must be placed between the thermostat subbase (or wallplate) and the wall. See Fig. 10.
- 5 Wire the thermostat subbase (or wallplate). Refer to the installation instructions provided with the thermostat.
- 6 Mount the thermostat on the subbase (or wallplate) and place the thermostat cover on the thermostat.
- 7 Mount the guard ring base over the thermostat, subbase (wallplate) and guard wallplate.
- 8 Attach the ring base using four no. 6 sheet metal screws or four anchors and screws (provided).
- 9 Mount the guard cover by placing the hinged edge of the guard cover on the ring base and swinging it down (horizontal mounting) or to the side (vertical mounting) until the thermostat guard is in place against the ring base. See Fig. 7.
- 10 Lock the thermostat guard by turning the key (provided) counterclockwise. See Fig. 8. The key can be removed only in the locked position.
- 11 Remove the paper backing and clear protective cover from the included monogram and place the monogram in the recessed area on the guard cover. See Fig. 9.

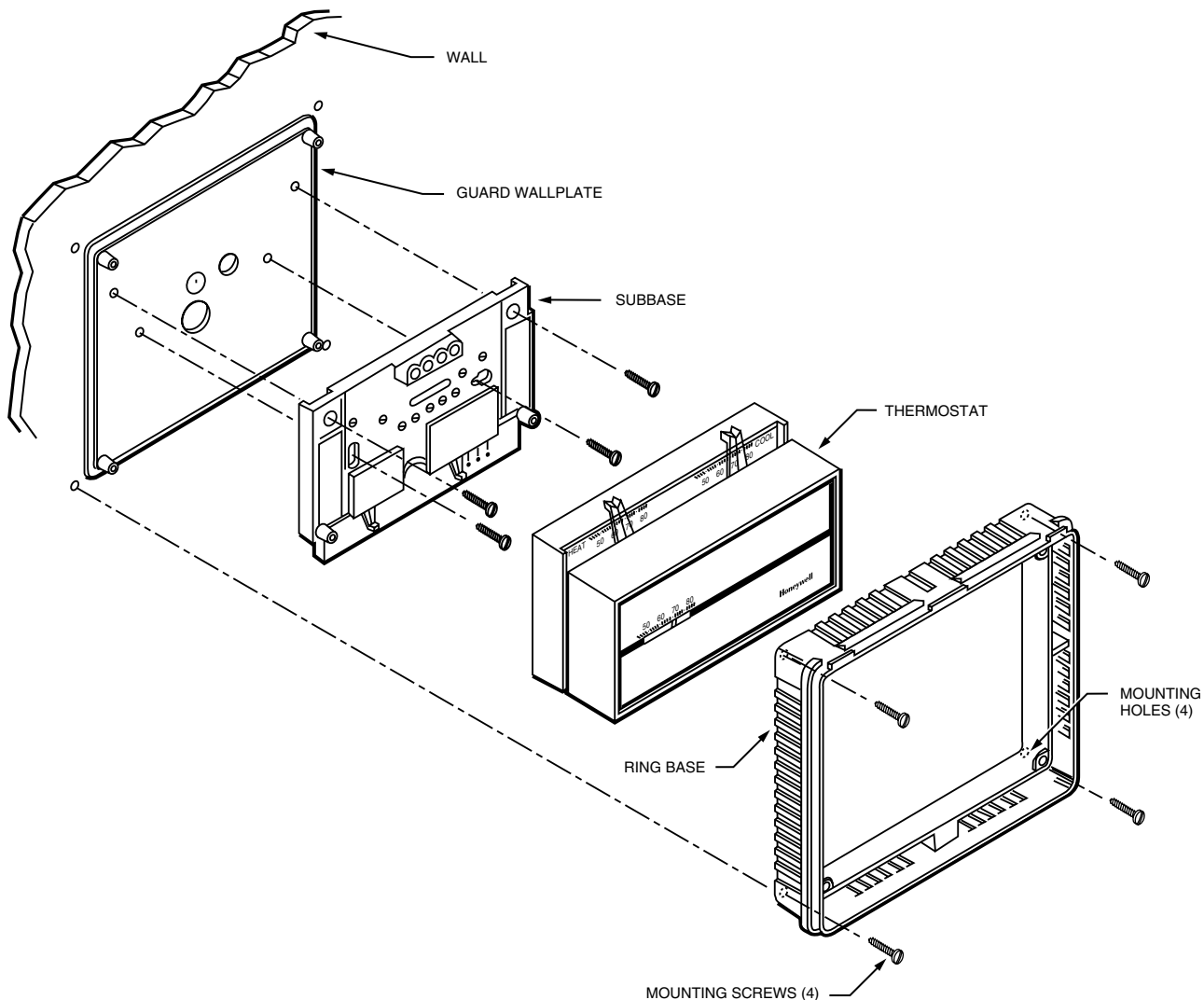


Fig. 10. Mount guard wallplate and ring base on thermostat with front-wired subbase or wallplate.

Back-wired Thermostat (Fig. 11)

- 1 Place the thermostat on the wallplate template and mark the mounting holes.
- 2 Locate the mounting holes on the guard wallplate using the template as a guide.
- 3 Drill the required 5/32 in. mounting holes in the guard wallplate.

NOTE: If the mounting hole pattern on the guard wallplate does not match the pattern on the thermostat, drill additional mounting holes in the guard wallplate.

- 4 Mount the smooth side of the guard wallplate facing the thermostat and run the system wires through the wiring hole in the guard wallplate. The guard wallplate must be placed between the thermostat and the wall. See Fig. 11.
- 5 Back-wire the thermostat. Refer to the instructions provided with the thermostat.

- 6 Mount the thermostat and the guard wallplate to the wall using the 1-1/4 in. sheet metal screws provided with the thermostat. Make sure the guard wallplate is placed between the thermostat and the wall.
- 7 Place the thermostat cover on the thermostat.
- 8 Mount the guard ring base over the thermostat and the guard wallplate.
- 9 Attach the ring base using four 1-1/4 in. sheet metal screws or four anchors and screws (provided).
- 10 Mount the guard cover by placing the hinged edge of the guard cover on the ring base and swinging it down (horizontal mounting) or to the side (vertical mounting) until the guard cover snaps into place against the ring base. See Fig. 7.
- 11 Lock the thermostat guard by turning the key (provided) counterclockwise. See Fig. 8. The key can be removed only in the locked position.
- 12 Remove the paper backing and clear protective cover from the included monogram and place the monogram in the recessed area on the guard cover. See Fig. 9.

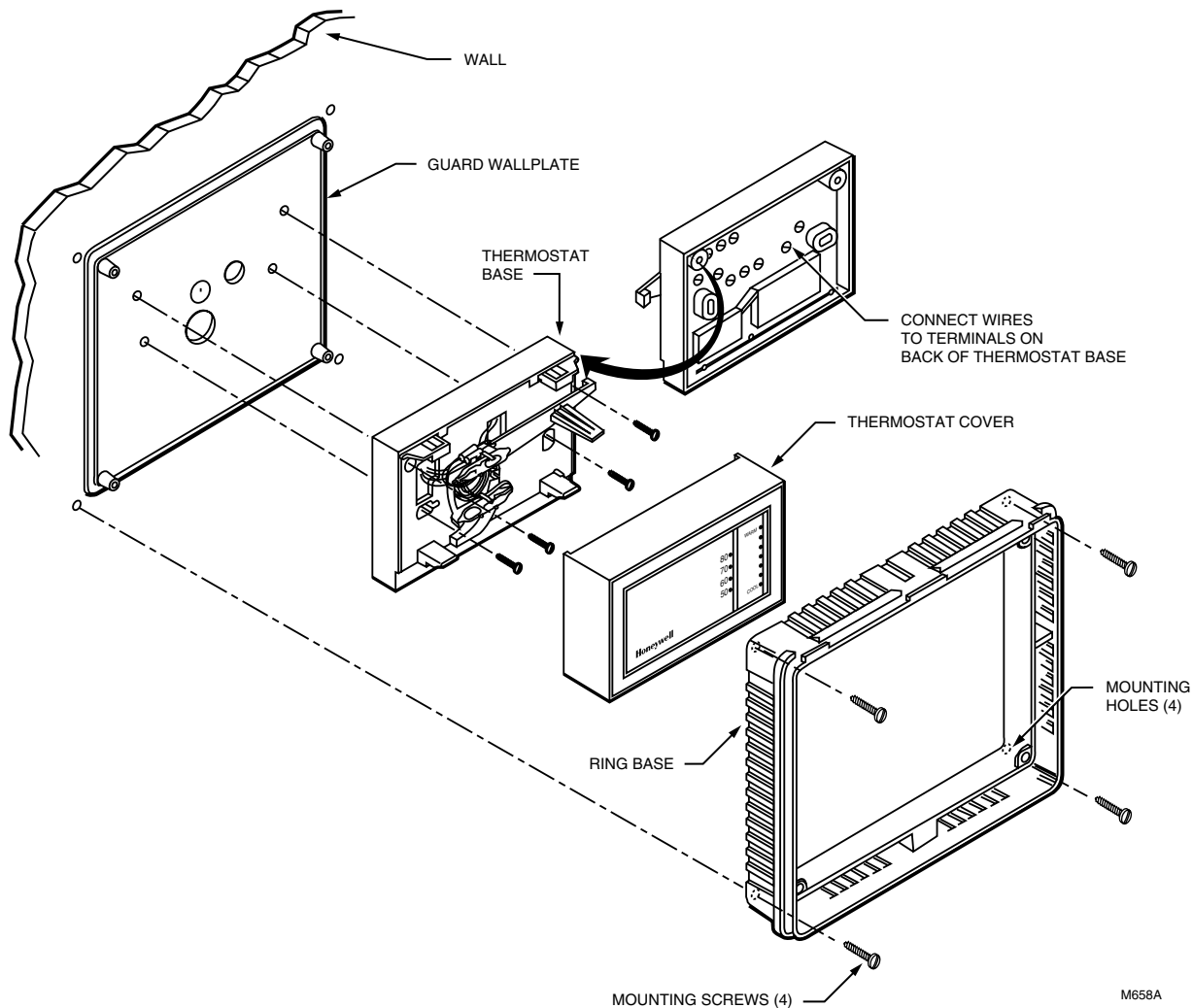


Fig. 11. Mount guard wallplate and ring base on back-wired thermostat.

Junction Box Mounting (Fig. 12)

- ❶ Place the thermostat subbase (or wallplate) on the wallplate template and mark the mounting holes.
- ❷ Locate the mounting holes on the guard wallplate using the template as a guide.
- ❸ Drill the required 5/32 in. mounting holes in the guard wallplate.
- ❹ Secure the guard wallplate to the ring base using the screws provided.
- ❺ Place the guard wallplate (with smooth side facing the ring base) on the back of the ring base.
- ❻ Insert the securing screws through the holes on the front of the ring base and into the posts on the wallplate. See Fig. 12.
- ❼ Tighten the screws securely.

NOTES: When using a front-wired subbase (wallplate), run the system wires from the junction box through the wiring hole in the guard wallplate and subbase (wallplate) cable opening.

When using a back-wired subbase (wallplate), run the system wires from the junction box through the wiring hole in the guard wallplate only.

- ❽ Wire the back-wired subbase. Refer to the instructions provided with the thermostat.
- ❾ Mount the thermostat subbase (wallplate) and the ring base with the guard wallplate to the junction box using the 1-1/4 in. sheet metal screws provided.
- ❿ Wire the front-wired subbase (wallplate). Refer to the instructions provided with the thermostat.
- ⓫ Mount the thermostat on the subbase (wallplate).
- ⓬ Place the thermostat cover on the thermostat.
- ⓭ Mount the guard cover by placing the hinged edge of the guard cover on the ring base and swinging it down until the guard cover is in place against the ring base. See Fig. 7.
- ⓮ Lock the thermostat guard by turning the key (provided) counterclockwise. See Fig. 8. The key can only be removed in the locked position.
- ⓯ Remove the paper backing and clear protective cover from the included monogram and place the monogram in the recessed area on the guard cover. See Fig. 9.

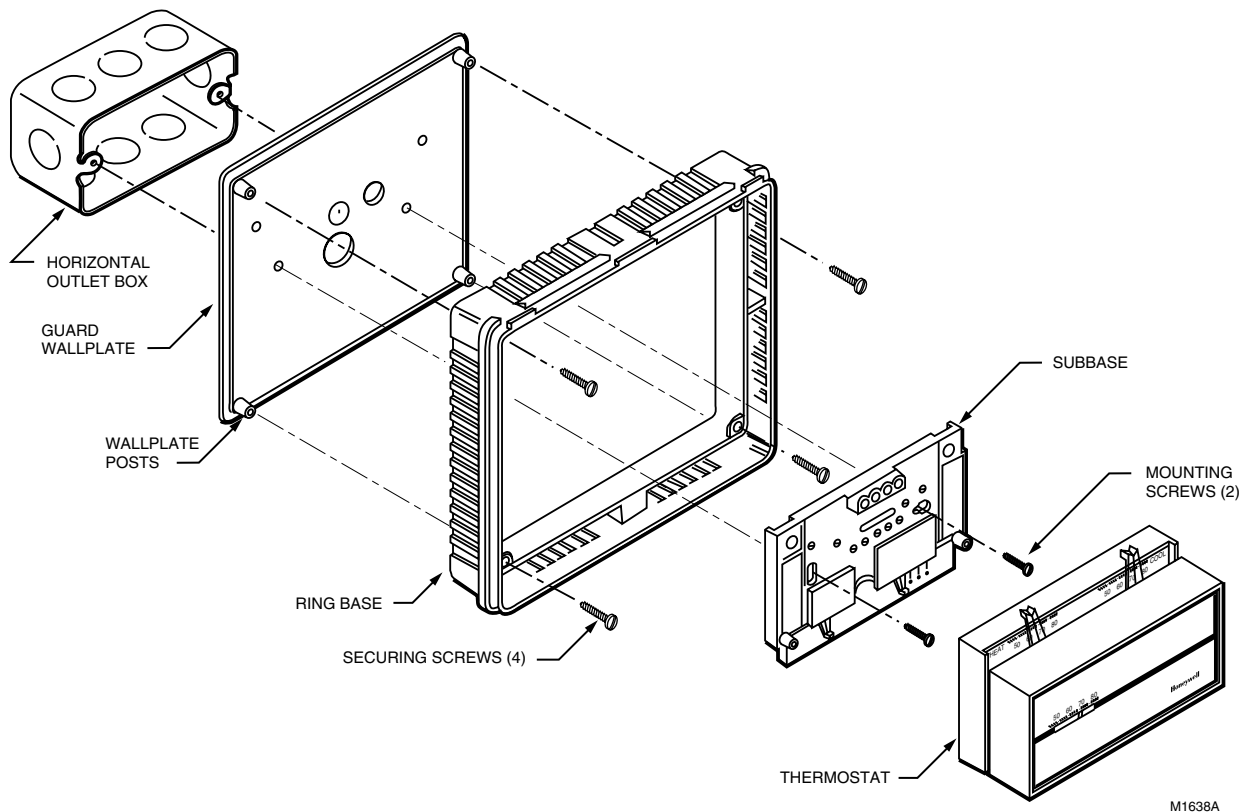


Fig. 12. Mount guard wallplate with ring base and thermostat on junction box (front-wired thermostat subbase shown).

Remove Thermostat Guard

- 1 Remove the thermostat guard cover by inserting the key and turning the key clockwise until the locking mechanism is disengaged.
- 2 Remove the guard cover by swinging it out away from the ring base and lifting it off. See Fig. 13.

CHECKOUT

Before leaving the installation, refer to the applicable instructions to check the operation of the thermostat or subbase.

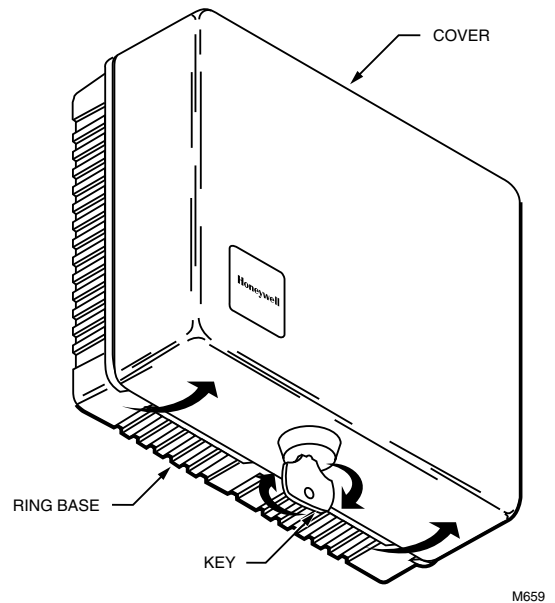


Fig. 13. Remove thermostat guard cover (TG510, TG511, TG512 shown).

Home and Building Control

Honeywell Inc.
Honeywell Plaza
P.O. Box 524
Minneapolis MN 55408-0524

Honeywell Latin American Division

Miami Lakes Headquarters
14505 Commerce Way Suite 500
Miami Lakes FL 33016

Home and Building Control

Honeywell Limited-Honeywell Limitée
155 Gordon Baker Road
North York, Ontario
M2H 2C9

Honeywell Europe S.A.

3 Avenue du Bourget
B-1140 Brussels Belgium

Honeywell Asia Pacific Inc.

Room 3213-3225
Sun Hung Kai Centre
No. 30 Harbour Road
Wanchai
Hong Kong

Honeywell