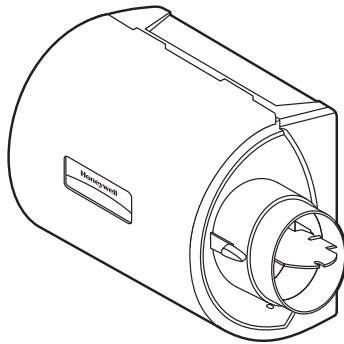


Honeywell

HE105, HE205 Whole Home Bypass Humidifier

INSTALLATION INSTRUCTIONS



APPLICATION

This kit contains your new Honeywell HE105 or HE205 Humidifier, H8908 Humidistat and all the accessories required for installation.

How Your Humidifier Works

Your Honeywell humidifier uses the principle that vapor (evaporated water) is created when warm air blows over a water-soaked area. As the vapor circulates, the relative humidity rises.

Your humidity control monitors the relative humidity and activates the humidifier accordingly. The humidifier has a water supply that dispenses water evenly over a humidifier pad. The warm dry air from the furnace passes over the humidifier pad and picks up the moist air to circulate it throughout your home.

Humidified air feels warmer and more comfortable so you may be able to lower your thermostat heating setpoint, which saves money on your heating fuel bills. The end result is that your humidifier gives you a comfortable environment that is also energy efficient.

Need Help?

For assistance with this product please visit <http://yourhome.honeywell.com> or call Honeywell Customer Care toll-free at 1-800-468-1502.

PREPARING FOR THE INSTALLATION

Be sure to identify all the required (Table 1) accessories (included) and make sure the appropriate tools are available before beginning the installation.

Included in the box:

- Humidifier
- H8908 Humidistat
- Plug-in transformer

Canadian “C” models also include:

- 6 in. dia. bypass ducting (24 in.)
- 18 gauge thermostat wire (20 ft.)
- 1/4 in. (6.35 mm) OD feed water tubing (20 ft.)
- 1/2 in. (12.7 mm) ID drain tubing (10 ft.)
- Saddle valve

Required Tools

Tools required for installation include:

- Tin snip
- Screwdriver
- Pliers
- Adjustable or open-end wrench
- Drill
- Level
- 3/4 in. (19 mm) sheet metal drill bit

SPECIFICATIONS

Model specific specifications are shown in Table 1.

Operating Ambient Temperature: 41 to 113 °F (5 to 45 °C)

Power Supply: 24 VAC / 60 Hz.

Power Consumption: 7 Watts with 24 Vrms

Water Pressure: 40 to 120 psi.

Orifice Output: .02 in. (0.5 mm)

Flow Rate at Nozzle: 4.7 GPH (18 L/hr.) under 120 psi

Table 1. Specifications.

Model	Size length × width × depth	Duct Opening H × W	Pad Size	Evaporation Output
HE105	15.16 × 16.57 × 9.47 in. (385 × 421 × 240 mm)	9.43 × 9.28 in. (240 × 236 mm)	10 × 9.5 × 1.5 in. (254 × 241 × 38.1 mm)	12 GPD
HE205	18.30 × 17.11 × 9.59 in. (465 × 434 × 243 mm)	12.63 × 9.68 in. (321 × 246 mm)	13.125 × 10 × 1.5 in. (333 × 254 × 38.1 mm)	17 GPD



33-00229EF-01

Safety Definitions

These safety terms identify information you must read prior to installing or operating the humidifier.

WARNING

Indicates a hazardous situation which, if not avoided, could result in death or serious injury.

CAUTION

Indicates a hazardous situation which, if not avoided, could cause bodily injury or property damage.

Safety Precautions

Make sure you read and understand the following safety hazards before installing, using, or working with the humidifier:

WARNING

Serious Personal Injury Hazard.
Can cause electrical shock and injury from moving parts.

Disconnect power and shut off water supply before removing cover.

WARNING

Hazardous Voltage
Can cause personal injury or equipment damage.
Do not cut or drill into any air conditioning or electrical accessory.

CAUTION

Chemical Hazard.
Can cause personal injury or equipment damage.
Do not use any line connected to an air conditioner.
Do not use gas line.

CAUTION

Temperature and Static Pressure Hazard.
Can cause property or equipment damage.
Locate humidifier where ambient temperature is between 41 and 113 °F (5 to 45 °C).
Do not install humidifier where freezing temperatures could occur.
Be sure supply plenum static pressure is no greater than 0.4 in. wc and water pressure is no greater than 120 psi.

CAUTION

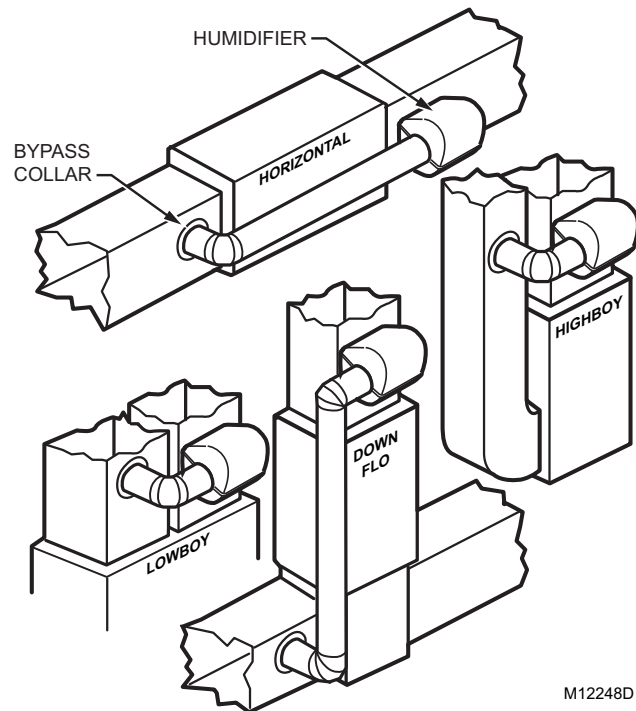
Sharp Edges Installation Hazard.
Can cause personal injury.
Wear gloves and safety glasses.

IMPORTANT

Read and save these instructions.

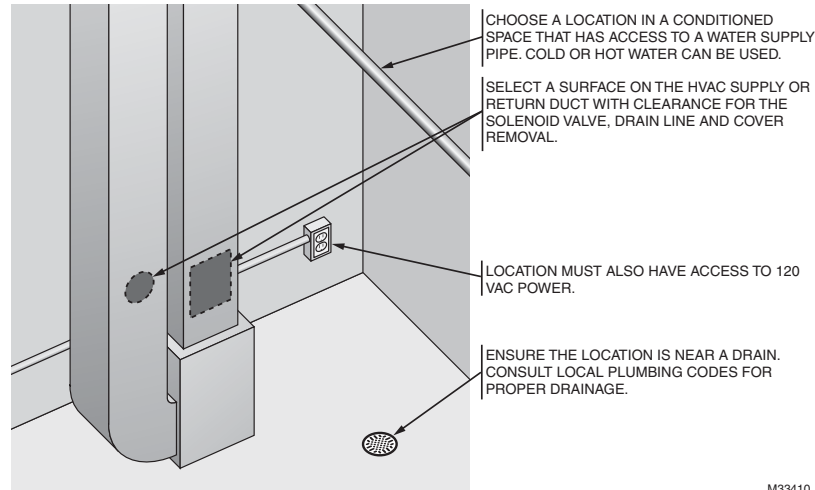
Determining Best Location for Humidifier

- Select a location for the humidifier on the supply (warm air stream) duct. See Fig. 1 for examples. Return duct mounting is acceptable if there are space restrictions on the supply duct. If you are mounting the humidifier on the return duct, simply swap “return duct” for “supply duct” throughout these instructions.
- Select a location that cannot damage the air conditioner A-coil during installation.
- Do not locate the humidifier on the furnace body.
- Mount the humidifier in a conditioned space to prevent freezing.
- Mount the humidifier at least 3 in. (78 mm) above the furnace body to allow adequate space for the solenoid valve and drain line.



M12248D

Fig. 1. Typical humidifier installation locations.



M33410

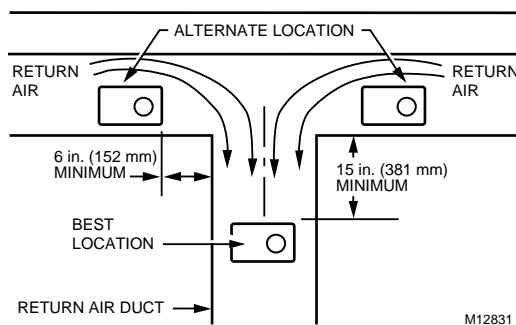
Fig. 2. Typical humidifier installation locations.

Selecting Location for Humidistat

- Select a location for the humidistat on the return plenum or on the wall in the living space.
- Mounting on the return plenum is the easiest installation for the control wiring circuit.
- Make sure that the thermostat wire is adequate to reach from the humidifier to the humidistat, and also from the humidifier to the transformer. See “Wiring” on page 5 for more information.

IMPORTANT

The humidistat must be mounted upstream from the humidifier or bypass duct to ensure it is properly sensing the relative humidity of the living space. Locate the control at least 8 in. (203 mm) upstream from the humidifier in the return air duct. (See Fig. 3.)



M12831

Fig. 3. Selecting duct location for humidistat.

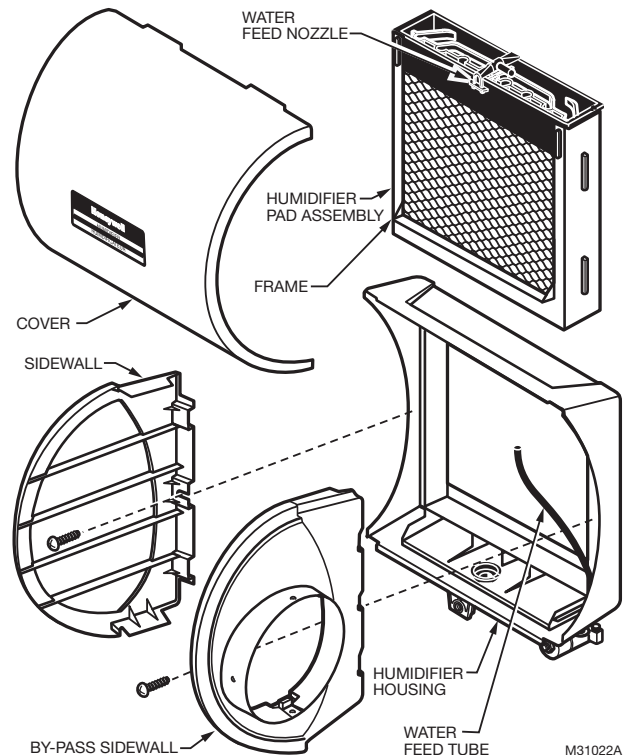
INSTALLATION

1. Turn off power to the air handling system at the circuit breaker.
2. Draw a level line on the plenum in the selected location.

IMPORTANT

Be sure the mounting template is level before marking. Use of a small level is recommended.

3. Locate the template (form number 33-00210, included in the box). For the HE105 model, cut out the template along the dotted line. For the HE205 model, use the entire sheet as a template.
4. Tape the template in position and trace around the template.
5. Remove the template and carefully cut the rectangular opening using tin snips.
6. Disassemble the humidifier; remove the cover and take out the humidifier pad assembly. See Fig. 4.



M31022A

Fig. 4. Disassembling humidifier.

7. Make sure the humidifier housing is level, then position it in the opening so the plastic tabs are in place on the *lower sheet metal edge* of the opening. Use pliers, as necessary, to flatten cut edges. See Fig. 5.
8. Secure the humidifier housing to the opening at the top and bottom using sheet metal screws.
9. Reassemble humidifier side plates to customize the orientation for your specific install. The side plate with the humidifier port needs to be on the side of the humidifier that is closest to the bypass ducting. Be sure to open the bypass flap for use and close it when the humidifier is not used. See Fig. 6.

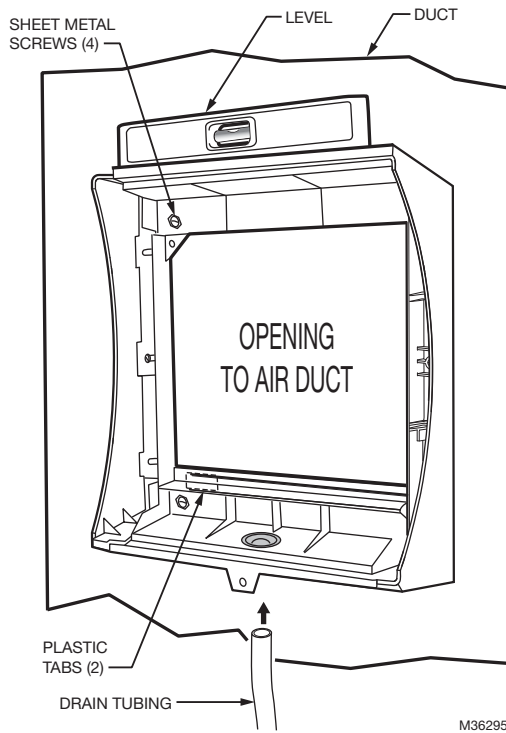


Fig. 5. Installing humidifier on duct.

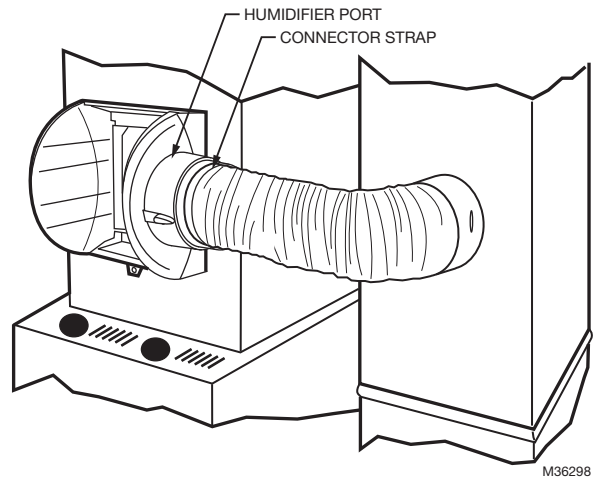


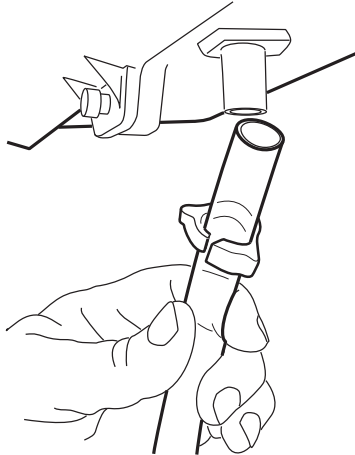
Fig. 6. Connecting bypass ducting.

Connecting the Plumbing

1. Hot or cold water, either hard or softened, can be used in the humidifier. Cut the water line so it reaches from the humidifier to the main water supply tap.
2. Turn off water supply and tap into a water line.
 - Consult local codes for proper plumbing.
 - Use an approved saddle valve or a T-fitting and manual shutoff valve to tap into the water line.
 - Refer to the literature included with the valve you chose and the local plumbing codes. Use proper technique for the valve.
 - Connect the other end of the humidifier water line to the water valve.
 - Use 1/4 in. O.D. copper tubing and connect to inlet side of solenoid valve via a compression fitting or Honeywell Quick Connect fitting.
 - Place brass compression nut over copper tubing.

NOTE: Do not over tighten compression nut.

- Moderate tightness prevents leaking.
 - Slide the brass ferrule over the tubing.
 - Insert tubing into solenoid valve fitting and support the valve while tightening the compression nut.
3. Connect a water drain line.
 - Consult and follow local plumbing codes for drain pipe size and flow requirement.
 - The ideal installation is directly to the main floor drain using a rubber drain hose.
- a. Slide a drain clamp over the tubing.
 - b. Push the tubing over the drain nipple on the humidifier.
 - c. Route the drain hose to the floor drain. The hose must have a continuous downward slope.
 - d. Direct the hose outlet into the floor drain. Secure the hose to reduce the risk of water pooling or splashing as it drains from the humidifier. See Fig. 7.



M20177

Fig. 7. Installing the drain tubing.

WIRING



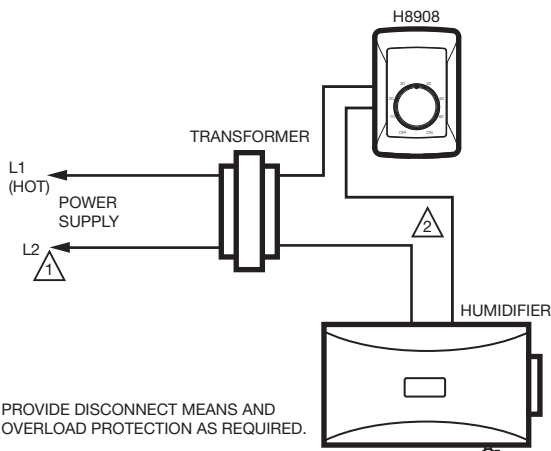
CAUTION

Hazardous Voltage.
Can cause personal injury or equipment damage. Disconnect power supply before installing or servicing equipment.

IMPORTANT

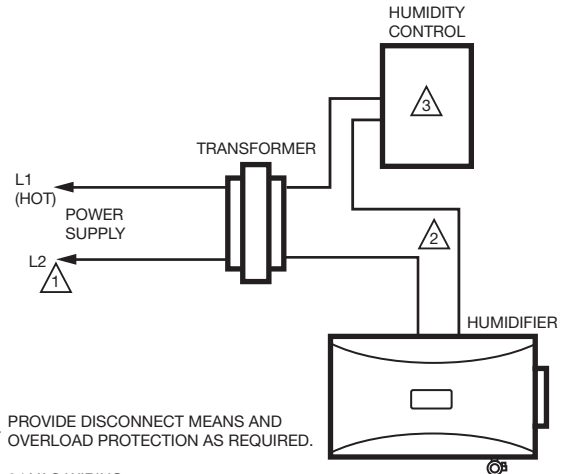
All wiring must comply with applicable local code, ordinances and regulations.

Wire the humidifier, humidistat and transformer. See Fig. 8.



M36293

Fig. 8. Wiring the humidifier with the H8908.



1 PROVIDE DISCONNECT MEANS AND OVERLOAD PROTECTION AS REQUIRED.

2 24 VAC WIRING.

3 WHEN USING A CONTROL OTHER THAN THE H8908, WIRE TO THE HUM/HUM OR U/U TERMINALS.

M36297

Fig. 9. Wiring the humidifier with another humidistat/thermostat.

TESTING HUMIDIFIER OPERATION

Checklist

- Humidifier is level.
- Control wiring was reviewed using circuit diagram.
- Humidifier has power.
- Water feed line has no kinks.
- Drain line slopes continuously down and ends at floor drain.
- Water hose inside humidifier is connected to PerfectFLO™ water distribution tray.

After installation use the following steps to check the humidifier operation:

1. Turn on the power and the water supply.
2. Ensure the saddle valve or T-valve fitting is fully opened by turning the handle to the left (counter clockwise) until there is resistance.
3. Turn the H8908 Humidistat to On and turn on the heat by setting the thermostat to 10 °F (6 °C) above room temperature.
4. Make sure that water is flowing out of the drain hose. If water does not flow, see Troubleshooting Your Humidifier section.
5. Check for leaks.
6. Reset the thermostat and H8908 Humidistat to a comfortable setting for automatic operation. (35% relative humidity is recommended.)

OPERATION

Controlling Your Humidity Settings

Your H8908 Humidistat (or other humidity control) controls your humidifier.

- Choose the humidity control setting using the combination of relative humidity/outdoor temperature setting scale on your humidity control dial.
- Match the dial setting to the outdoor temperature to optimize the humidity level while reducing the moisture condensation on your windows. See Table 2 on page 6 to adjust the humidity control to the recommended setting.

NOTE: As the outside temperature drops, a lower humidity setting is recommended to accommodate dewpoint effects. These settings should reduce the accumulation of moisture and ice on windows and other areas of the home.

- Adjust the humidity control setting to adjust for indoor activities such as cooking, showering and clothes drying, which can cause excessive levels of humidity that can accumulate moisture on your windows.

NOTE: If these activities persist for more than a few hours, set the humidity control to the lowest setting to turn off the humidifier. If the condition does not improve, ventilate your home to remove the moisture.

Table 2.

When Outside Temperature is:	Use This Control Setting:
-20 °F (-29 °C)	15
-10 °F (-23 °C)	20
0 °F (-18 °C)	25
+10 °F (-12 °C)	30
+20 °F (-7 °C)	35
Above 20 °F (-7 °C)	40

MAINTAINING YOUR HUMIDIFIER

A regular maintenance program prolongs the life of your humidifier and makes your home more comfortable. The frequency of cleaning depends on the condition of your water.

You can use either hard or soft water in your humidifier, but hard water mineral deposits are more difficult to clean than soft water deposits.

IMPORTANT

Never oil any part of the humidifier.

End of Humidification Season

- Clean the humidifier and shut it off at the end of the heating season.
- Turn the water off at the saddle valve or T-valve fitting by turning the handle to the right (clockwise) until the water stops flowing and/or there is resistance.
- Un-power the humidifier.
- Turn the damper blade to the "closed" position.

Replacement Humidifier Pads

Honeywell recommends replacing the humidifier pad on an annual basis. However, if your home has hard water, the pad may need to be replaced more frequently because of the buildup of minerals diminishing its ability to operate normally. If there is access to a water softener, it is recommended to use softened water.

Table 3. Replacement pad part numbers.

Model	Replacement Pad
HE105	HC22
HE205	HC26

Checkout

1. Open the water supply and bypass duct flap.

NOTE: The furnace blower must be on for the humidifier to operate.

2. Set the thermostat setpoint 10°F (6°C) above the room temperature.
3. Set the Humidity Control to a high humidity setting, or place the setting in the test position.
4. Observe the water running out of the drain line to be sure the humidifier is working properly.
5. Check for leaks.
6. Reset the Humidity Control to a comfortable setting, or the Automatic Humidity Control to the desired frost factor setting.

TROUBLESHOOTING YOUR HUMIDIFIER

Problem	What to look for	What to do
Water leakage	Leaking joints.	Shut off water and tighten connections.
	Brass tubing inserts	Verify that brass tubing inserts are used.
	Saddle valve leaking.	Verify rubber pad is installed on saddle valve.
No water to drain.	Electrical	Verify control circuit wiring. Check all connections.
	Humidistat	Turn humidistat up and down and listen for contact to click.
	Humidifier power	Verify that outlet has power.
	Solenoid	After verifying other wiring components, turn on furnace fan, turn humidistat up and down, and listen for solenoid to click.
	Plumbing	Verify plumbing connections. Check for kinks.
	Saddle valve	Verify that needle pierces water line and then backs out needle to open valve.
	Humidifier	Remove cover and verify that water flows into distribution tray.
	Drain tubing	Verify no obstructions.
Air leakage	Check duct joints	Seal with foil tape.
Low humidity	Furnace blower not operating.	<ul style="list-style-type: none"> • Reset circuit breaker or check for blown fuse. • Check that the furnace power is on. • Check all external wiring connections. • Check the humidity control setting. • Call a professional heating contractor.
	Rapid air changes. Drafts (cold air is dry and is an added load to the humidifier).	<ul style="list-style-type: none"> • Keep doors and windows closed. • Close fireplace damper when not in use. • Keep exhaust fan running time to a minimum. • Seal around doors and windows.
	Damper in "closed" position	<ul style="list-style-type: none"> • Set damper blade to "open" position to allow humidification.
High humidity	Condensation on walls.	<ul style="list-style-type: none"> • Turn off humidity control and water until condensation is completely evaporated.
	Heavy condensation on windows.	<ul style="list-style-type: none"> • Turn humidity control down low enough to eliminate condensation caused by moisture from bathing, mopping, cooking, etc. If moisture persists, more ventilation is needed.

LIMITED FIVE-YEAR WARRANTY

Honeywell warrants this product, excluding battery, to be free from defects in the workmanship or materials, under normal use and service, for a period of three (3) years from the date of purchase by the consumer. If at any time during the warranty period the product is determined to be defective or malfunctions, Honeywell shall repair or replace it (at Honeywell's option).

If the product is defective,

(i) return it, with a bill of sale or other dated proof of purchase, to the place from which you purchased it; or

(ii) call Honeywell Customer Care at 1-800-468-1502. Customer Care will make the determination whether the product should be returned to the following address: Honeywell Return Goods, Dock 4 MN10-3860, 1985 Douglas Dr. N., Golden Valley, MN 55422, or whether a replacement product can be sent to you.

This warranty does not cover removal or reinstallation costs. This warranty shall not apply if it is shown by Honeywell that the defect or malfunction was caused by damage which occurred while the product was in the possession of a consumer.

Honeywell's sole responsibility shall be to repair or replace the product within the terms stated above. HONEYWELL SHALL NOT BE LIABLE FOR ANY LOSS OR DAMAGE OF ANY KIND, INCLUDING ANY INCIDENTAL OR CONSEQUENTIAL DAMAGES RESULTING, DIRECTLY OR INDIRECTLY, FROM ANY BREACH OF ANY WARRANTY, EXPRESS OR IMPLIED, OR ANY OTHER FAILURE OF THIS PRODUCT. Some states do not allow the exclusion or limitation of incidental or consequential damages, so this limitation may not apply to you.

THIS WARRANTY IS THE ONLY EXPRESS WARRANTY HONEYWELL MAKES ON THIS PRODUCT. THE DURATION OF ANY IMPLIED WARRANTIES, INCLUDING THE WARRANTIES OF MERCHANTABILITY AND FITNESS FOR A PARTICULAR PURPOSE, IS HEREBY LIMITED TO THE THREE-YEAR DURATION OF THIS WARRANTY. Some states do not allow limitations on how long an implied warranty lasts, so the above limitation may not apply to you.

This warranty gives you specific legal rights, and you may have other rights which vary from state to state.

If you have any questions concerning this warranty, please write Honeywell Customer Care, 1985 Douglas Dr, Golden Valley, MN 55422 or call 1-800-468-1502.

When the product is registered on-line at www.warranty.Honeywell.com, the standard manufacture coverage stated above extends to a period of (5) years.

Automation and Control Solutions

Honeywell International Inc.
1985 Douglas Drive North
Golden Valley, MN 55422
customer.honeywell.com

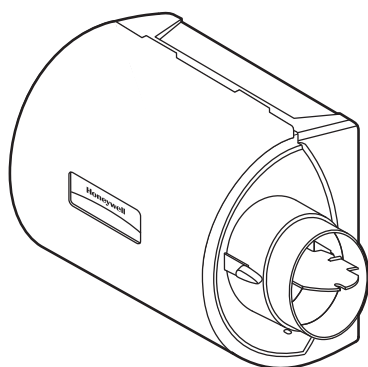
® U.S. Registered Trademark
© 2016 Honeywell International Inc.
33-00229EF-01 M.S. 08-16
Printed in United States

Honeywell

Honeywell

HE105, HE205 Humidificateur à dérivation pour toute la maison

NOTICE D'INSTALLATION



APPLICATION

Ce nécessaire contient le nouvel humidificateur Honeywell HE105 ou HE205, l'humidistat H8908 et tous les accessoires requis pour l'installation.

Fonctionnement de l'humidificateur

L'humidificateur Honeywell utilise le principe selon lequel la vapeur (eau évaporée) est créée lorsque de l'air chaud souffle sur une zone détrempee. Au fur et à mesure que la vapeur circule, l'humidité relative augmente.

Le régulateur d'humidité contrôle l'humidité relative et active l'humidificateur en fonction. L'humidificateur a une alimentation en eau qui distribue l'eau uniformément sur le tampon de l'humidificateur. L'air chaud sec provenant de l'appareil de chauffage passe sur le tampon de l'humidificateur et récupère l'air humide pour le faire circuler dans la maison.

L'air humide semble plus chaud et plus confortable, ce qui peut permettre de réduire le point de consigne de chauffage du thermostat et les factures d'énergie. Le résultat final est un environnement confortable et produisant des économies d'énergie.

Besoin d'aide?

Pour obtenir de l'assistance au sujet de ce produit, veuillez consulter le site <http://yourhome.honeywell.com> ou appeler le numéro gratuit du service à la clientèle de Honeywell au 1-800-468-1502.

PRÉPARATION À L'INSTALLATION

Veiller à identifier tous les accessoires inclus (répertoriés dans le tableau 1) et s'assurer que les outils appropriés sont disponibles avant de commencer l'installation.

Inclus dans la boîte :

- Humidificateur
- Humidistat H8908
- Transformateur enfichable

Les modèles « C » canadiens incluent également :

- Conduit de dérivation de 6 po de dia. (24 po)
- Fil de thermostat de calibre 18 (20 pi)
- Tube d'eau d'alimentation de 6,35 mm (1/4 po) de diamètre extérieur (20 pi)
- Tuyau d'évacuation de 12,7 mm (1/2 po) de diamètre intérieur (10 pi)
- Vanne à étrier

Outils requis

Les outils requis pour l'installation incluent :

- Cisailles à tôle
- Tournevis
- Pincettes
- Clé réglable ou à fourche
- Perceuse
- Niveau
- Foret à tôle de 19 mm (3/4 po)

CARACTÉRISTIQUES

Les caractéristiques des modèles spécifiques sont indiquées dans le Tableau 1.

Température ambiante de service : 5 à 45 °C (41 à 113 °F)

Alimentation : 24 V c.a. / 60 Hz.

Consommation d'énergie : 7 Watts avec 24 Vrms

Pression de l'eau : 40 à 120 psi.

Sortie de l'orifice : 0,5 mm (0,02 po)

Débit à la buse : 18 l/h (4,7 gal./h) à moins de 120 psi

Tableau 1. Spécifications.

Modèle	Dimensions longueur x largeur x profondeur	Ouverture de conduit H x l	Taille du tampon	Débit d'évaporation
HE105	385 x 421 x 240 mm (15,16 x 16,57 x 9,47 po)	240 x 236 mm (9,43 x 9,28 po)	254 x 241 x 38,1 mm (10 x 9,5 x 1,5 po)	12 gal/jour
HE205	465 x 434 x 243 mm (18,30 x 17,11 x 9,59 po)	321 x 246 mm (12,63 x 9,68 po)	333 x 254 x 38,1 mm (13,125 x 10 x 1,5 po)	17 gal/jour

Définitions relatives à la sécurité

Les termes de sécurité identifient des informations qu'il faut lire avant d'installer ou d'utiliser l'humidificateur.

AVERTISSEMENT

Indique une situation dangereuse qui, si elle n'est pas évitée, risque de causer des blessures graves, voire mortelles.

MISE EN GARDE

Indique une situation dangereuse qui, si elle n'est pas évitée, risque d'endommager le produit ou de causer des blessures corporelles.

Précautions relatives à la sécurité

Lire et comprendre les risques d'accident suivants avant d'installer, d'utiliser ou de manipuler l'humidificateur :

AVERTISSEMENT

Risque de blessures graves.
Les pièces en mouvement peuvent causer des chocs électriques et des blessures.
 Débrancher l'alimentation et couper l'arrivée d'eau avant de retirer le couvercle.

AVERTISSEMENT

Tension dangereuse.
Peut causer des blessures et des dommages matériels.
 Ne pas couper ni percer un appareil de conditionnement d'air ou électrique.

MISE EN GARDE

Danger chimique.
Peut causer des blessures et des dommages matériels.
 Ne pas se servir de la tuyauterie reliée au système de climatisation.
 Ne pas utiliser la tuyauterie de gaz.

MISE EN GARDE

Danger de température et de pression statique.
Peut causer des dommages matériels.
 Placer l'humidificateur dans un lieu où la température ambiante est comprise entre 5 °C et 45 °C (41 °F et 113 °F).
 Ne pas installer l'humidificateur dans un endroit où des températures inférieures ou égales à 0 °C (32 °F) peuvent être présentes.
 S'assurer que la pression statique de l'alimentation dans le plénum ne dépasse pas 0,4 po c.e. et que la pression de l'eau ne dépasse pas 120 psi.

MISE EN GARDE

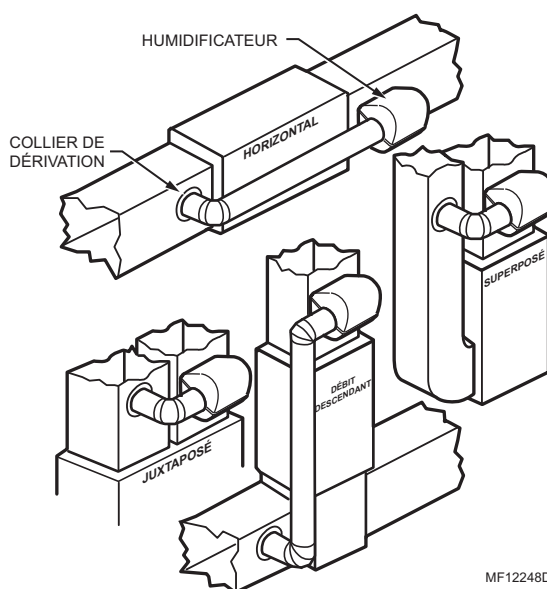
Danger de bords coupants durant l'installation.
Peut causer des blessures.
 Porter des gants et des lunettes de sécurité.

IMPORTANT

Lire et conserver ces instructions.

Choix du meilleur emplacement pour installer l'humidificateur

- Choisir un emplacement pour l'humidificateur sur la gaine d'arrivée (flux d'air chaud). Voir la Fig. 1 pour les exemples. Un montage sur la gaine de retour est permis en cas de limitations d'espace sur la gaine d'arrivée. Si l'humidificateur est monté sur la gaine de retour, il suffit de permuter la gaine de retour et la gaine d'arrivée tout au long de ces instructions.
- Sélectionner un emplacement ne risquant pas de causer des dommages au serpentin en A du climatiseur durant l'installation.
- Ne pas placer l'humidificateur sur le boîtier de l'appareil de chauffage.
- Monter l'humidificateur dans un espace conditionné pour éviter le gel.
- Installer l'humidificateur à une distance minimale de 78 mm (3 po) au-dessus du boîtier de l'appareil de chauffage afin de laisser un espace suffisant pour l'électrovanne et le tuyau de vidange.



MF12248D

Fig. 1. Emplacements typiques de l'humidificateur.

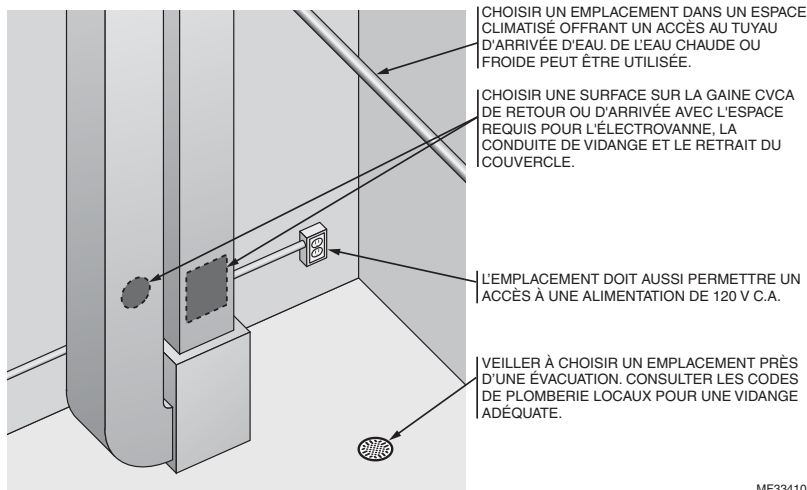


Fig. 2. Emplacements typiques de l'humidificateur.

Choix du lieu d'installation de l'humidistat

- Sélectionner pour l'humidistat un emplacement sur le plénum de retour ou sur le mur de l'espace habité.
- L'installation sur le plénum de retour permet de contrôler le plus facilement le circuit de câblage du régulateur.
- S'assurer que le fil du thermostat est de longueur suffisante pour relier l'humidificateur à l'humidistat et l'humidificateur au transformateur. Consulter la rubrique « Câblage » de la page 5 pour plus d'informations.

IMPORTANT

L'humidistat doit être monté en amont de l'humidificateur ou du tuyau de dérivation pour assurer une détection adéquate de l'humidité relative de l'espace habité. Placer le régulateur à au moins 203 mm (8 po) en amont de l'humidificateur dans la gaine d'air de retour. (Voir la Fig. 3.)

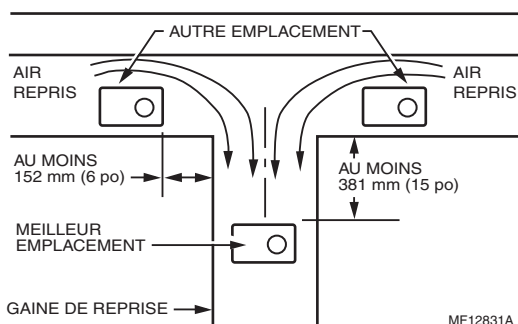


Fig. 3. Choix de l'emplacement du conduit pour l'humidistat.

INSTALLATION

1. Couper l'alimentation du système de traitement de l'air au disjoncteur.
2. Tracer une ligne à niveau sur le plénum à l'emplacement sélectionné.

IMPORTANT

S'assurer que le gabarit de montage est de niveau avant de procéder au marquage. Il est recommandé d'utiliser un niveau de petite taille.

3. Repérer le gabarit (formulaire n° 33-00210 inclus dans la boîte). Pour le modèle HE105, couper le gabarit le long de la ligne pointillée. Pour le modèle HE205, utiliser la feuille entière comme gabarit.
4. Fixer le gabarit à l'emplacement requis avec du ruban adhésif et en tracer le contour.
5. Enlever le gabarit et couper avec soin une ouverture rectangulaire en utilisant des cisailles à tôle.
6. Démontez l'humidificateur, retirez le couvercle et sortez le tampon de l'humidificateur. Voir la Fig. 4.

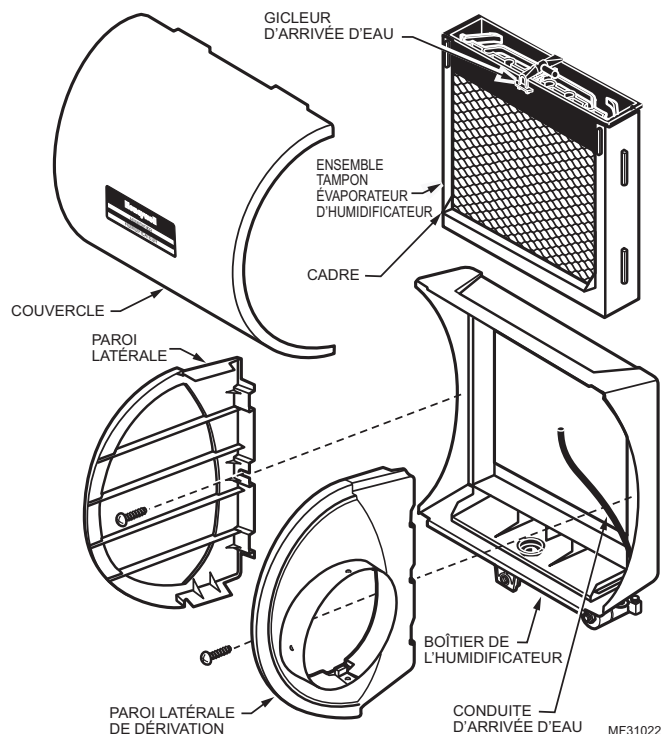


Fig. 4. Démontage de l'humidificateur.

7. S'assurer que le boîtier de l'humidificateur est à niveau, puis le placer dans l'ouverture de sorte que les languettes en plastique soient en place sur le bord de la tôle inférieure de l'ouverture. Utiliser des pinces, selon le besoin, pour aplatir les bords d'attaque. Voir la Fig. 5.
8. Fixer le boîtier de l'humidificateur à l'ouverture en haut et en bas à l'aide des vis à tôle.
9. Réassembler les plaques latérales de l'humidificateur pour adapter l'orientation en fonction de l'installation spécifique. La plaque latérale avec le port pour l'humidificateur doit être située du côté de l'humidificateur le plus proche du conduit de dérivation. Veiller à ouvrir le volet de dérivation lorsque l'humidificateur est utilisé et à le fermer lorsqu'il ne l'est pas. Voir la Fig. 6.

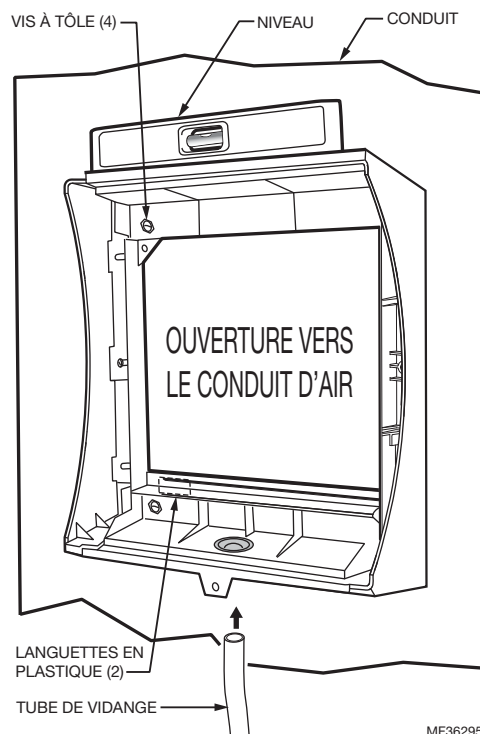


Fig. 5. Installation de l'humidificateur sur le conduit.

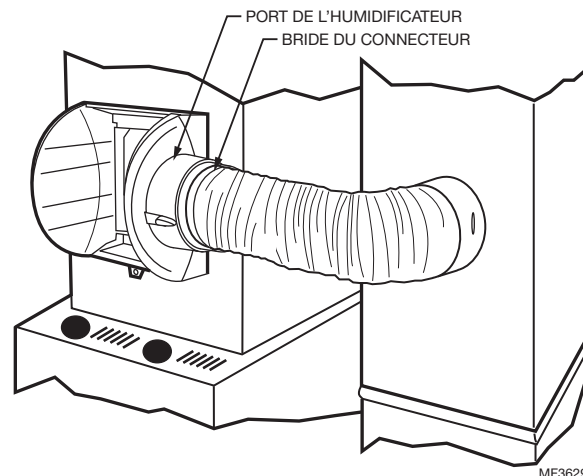


Fig. 6. Connexion du conduit de dérivation.

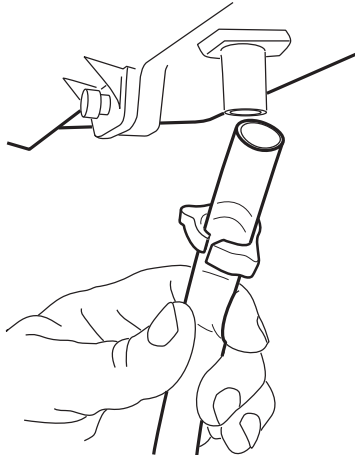
Connexion de la plomberie

1. L'humidificateur fonctionne avec de l'eau dure ou de l'eau douce. L'eau peut être chaude ou froide. Couper la canalisation d'eau de façon à ce qu'elle s'achemine de l'humidificateur à la prise d'arrivée d'eau principale.
2. Fermer l'arrivée d'eau et accéder à une canalisation d'eau.
 - Consulter les codes locaux pour savoir comment exécuter correctement les travaux de plomberie.
 - Utiliser une vanne à étrier ou un raccord en T homologués et un robinet d'arrêt manuel pour accéder à la canalisation d'eau.
 - Se reporter à la documentation incluse avec le robinet choisi et aux codes de plomberie locaux. Utiliser une technique convenant au robinet.
 - Brancher l'autre extrémité de la canalisation d'eau de l'humidificateur au robinet d'eau.
 - Utiliser un tube en cuivre de 1/4 po de dia. ext. et connecter au côté admission de l'électrovanne via un raccord de compression ou un raccord rapide Honeywell.
 - Placer un écrou de compression en laiton sur le tube en cuivre.

REMARQUE : Ne pas trop serrer l'écrou de compression.

- Serrer modérément empêche les fuites.
 - Glisser la bague en laiton sur le tube.
 - Insérer le tube dans le raccord de l'électrovanne et soutenir la vanne tout en serrant l'écrou de compression.
3. Connecter à une canalisation de vidange d'eau.
 - Consulter les codes de plomberie locaux pour connaître la dimension du tuyau de vidange et les exigences de débit à respecter.
 - La meilleure méthode d'installation consiste à se brancher directement dans le drain de plancher principal à l'aide d'un tuyau de vidange en caoutchouc.
 - a. Glisser le collier d'évacuation sur le tube.
 - b. Pousser le tube sur le raccord d'évacuation de l'humidificateur.

- c. Acheminer le tuyau de vidange jusqu'au drain de plancher. Le tuyau doit présenter une pente continue vers le bas.
- d. Placer la sortie du tuyau dans le drain de plancher. Attacher le tuyau pour réduire le risque d'accumulation d'eau ou d'éclaboussures lorsque l'eau s'écoule de l'humidificateur. Voir la Fig. 7.



M20177

Fig. 7. Installation du tube d'évacuation.

CÂBLAGE



MISE EN GARDE

Tension dangereuse.

Peut causer des blessures et des dommages matériels.

Couper l'alimentation avant de faire l'installation ou l'entretien.

IMPORTANT

Tout le câblage doit être conforme aux codes et règlements locaux en vigueur.

Câbler l'humidificateur, l'humidistat et le transformateur. Voir la Fig. 8.

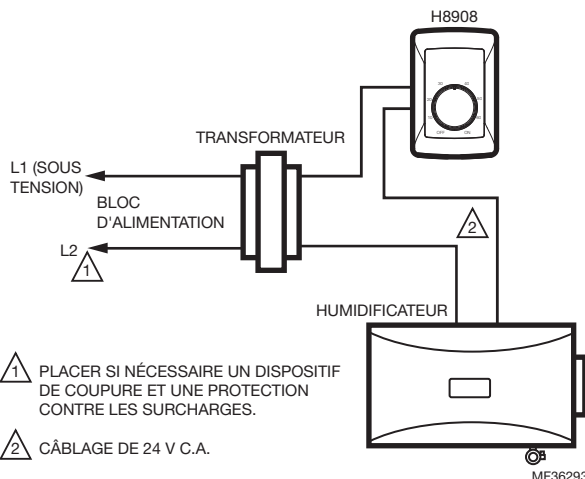


Fig. 8. Câblage de l'humidificateur au H8908.

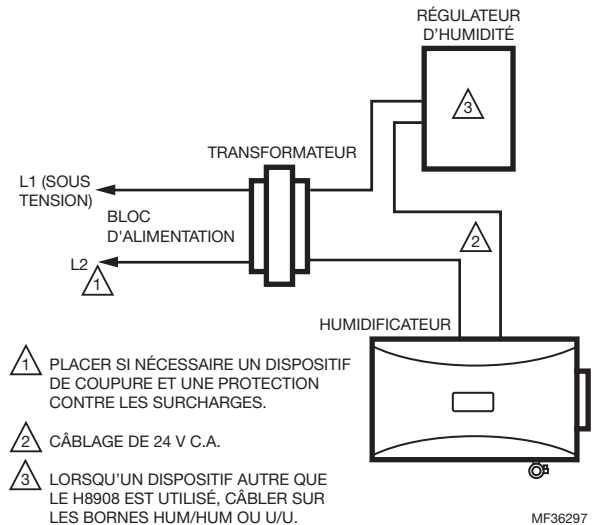


Fig. 9. Câblage de l'humidificateur avec un autre humidistat/thermostat.

TEST DU FONCTIONNEMENT DE L'HUMIDIFICATEUR

Liste de contrôle

- L'humidificateur est de niveau.
- Le câblage de régulation a été contrôlé à l'aide du schéma du circuit.
- L'humidificateur est alimenté.
- La ligne d'alimentation en eau n'est pas pliée.
- La ligne d'évacuation est acheminée en continu vers le bas et se termine au niveau du drain du plancher.
- La conduite d'eau à l'intérieur de l'humidificateur est connectée au plateau de distribution d'eau PerfectFLO™.

Après l'installation, procéder aux étapes suivantes pour vérifier le fonctionnement de l'humidificateur :

1. Mettre sous tension et ouvrir l'arrivée d'eau.
2. S'assurer que la vanne à étrier ou le raccord de vanne en T est complètement ouvert(e) avec la poignée tournée à gauche (sens antihoraire) jusqu'à sentir une résistance.
3. Mettre l'humidistat H8908 sur marche et mettre le chauffage en marche en réglant le thermostat à 6 °C (10 °F) au-dessus de la température ambiante.
4. S'assurer que l'eau s'écoule par la conduite d'évacuation. Si l'eau ne s'écoule pas, voir la section Dépannage de l'humidificateur.
5. Vérifier qu'il n'y a pas de fuites.
6. Régler le thermostat et l'humidistat H8908 à un réglage confortable pour le fonctionnement automatique. (Une humidité relative de 35 % est recommandée.)

FONCTIONNEMENT

Contrôle des réglages d'humidité

L'humidistat H8908 (ou un autre régulateur de l'humidité) contrôle l'humidificateur.

- Choisir le réglage de l'humidité en utilisant l'échelle d'humidité relative et de réglage de température extérieure sur le cadran de contrôle de l'humidité.
- Faire correspondre le réglage du cadran à la température extérieure pour optimiser le niveau d'humidité tout en réduisant la condensation due à l'humidité sur les fenêtres. Voir le Tableau 2 à la page 6 pour régler l'humidité selon les recommandations.

REMARQUE : Au fur et à mesure que la température extérieure chute, un point de réglage inférieur de l'humidité est recommandé pour compenser les effets du point de rosée. Ces réglages devraient réduire l'accumulation d'humidité et de glace sur les fenêtres et les autres zones de la maison.

- Régler le réglage de l'humidité en fonction des activités intérieures, telles que la cuisson, l'utilisation de la douche ou du séchoir à linge, qui pourraient causer des niveaux d'humidité excessifs pouvant s'accumuler sur les fenêtres.

REMARQUE : Si ces activités persistent pour plus de quelques heures, régler le régulateur d'humidité sur le réglage le plus bas pour éteindre l'humidificateur. Si la condition ne s'améliore pas, ventiler la maison pour ôter l'humidité.

Tableau 2.

Lorsque la température extérieure est de :	Utiliser ce réglage :
-29 °C (-20 °F)	15
-23 °C (-10 °F)	20
-18 °C (0 °F)	25
-12 °C (+10 °F)	30
-7 °C (+20 °F)	35
Au-dessus de -7 °C (20 °F)	40

ENTRETIEN DE L'HUMIDIFICATEUR

Un programme d'entretien régulier prolonge la durée de vie de votre humidificateur et rend votre maison plus confortable. La fréquence de nettoyage dépend de la condition de l'eau.

L'humidificateur accepte de l'eau dure ou douce, mais les dépôts minéraux de l'eau dure sont plus difficiles à nettoyer que les dépôts d'eau douce.

IMPORTANT

Ne jamais huiler une pièce quelle qu'elle soit de l'humidificateur.

Fin de la saison d'humidification

- Nettoyer l'humidificateur et l'éteindre à la fin de la session de chauffage.
- Couper l'eau au niveau de la vanne à étrier ou du raccord de vanne en T en tournant la poignée à droite (sens horaire) jusqu'à ce que l'eau arrête de couler et/ou qu'une résistance se fasse sentir.
- Mettre l'humidificateur hors tension.
- Mettre la lame du registre en position fermée.

Tampons d'humidificateur de rechange

Honeywell recommande de remplacer le tampon de l'humidificateur une fois par an. Toutefois, si l'eau est dure, le tampon peut nécessiter d'être remplacé plus fréquemment en raison de l'accumulation de minéraux diminuant sa capacité à fonctionner normalement. Si possible, il est recommandé d'utiliser de l'eau adoucie en utilisant un adoucisseur d'eau.

Tableau 3. Références des tampons de rechange.

Modèle	Tampon de rechange
HE105	HC22
HE205	HC26

Vérification

1. Ouvrir l'arrivée d'eau et le volet du conduit de dérivation.

REMARQUE : L'humidificateur ne fonctionne que si la soufflante de l'appareil de chauffage est en marche.

2. Régler le thermostat à une température supérieure de 6 °C (10 °F) à la température de la pièce.
3. Régler le régulateur d'humidité à un point d'humidité élevé, ou le placer en position de test.
4. Vérifier que l'eau s'écoule par le tuyau de vidange pour s'assurer que l'humidificateur fonctionne correctement.
5. Vérifier qu'il n'y a pas de fuites.
6. Réinitialiser le régulateur d'humidité à un niveau confortable, ou régler le contrôleur d'humidité automatique au facteur de gel désiré.

DÉPANNAGE DE L'HUMIDIFICATEUR

Problème	Raisons	Solutions
Fuite d'eau	Fuite au niveau des joints.	Couper l'eau et serrer les raccords.
	Inserts de tube en laiton	Vérifier que les inserts de tube en laiton sont présents.
	Fuite de la vanne à étrier.	Vérifier que le tampon en caoutchouc est installé sur la vanne à étrier.
Pas d'eau à évacuer.	Spécifications électriques	Vérifier le câblage du circuit de régulation. Vérifier toutes les connexions.
	Humidistat	Augmenter et réduire le réglage de l'humidistat et détecter le clic indiquant que le contact s'est fait.
	Alimentation de l'humidificateur	Vérifier que la prise est alimentée.
	Solénoïde	Après avoir vérifier les autres éléments de câblage, allumer l'appareil de chauffage, augmenter et réduire le réglage de l'humidistat, et écouter pour détecter l'enclenchement du solénoïde.
	Raccordement	Vérifier les connexions de plomberie. Vérifier qu'il n'y a pas de coudes ou de pliures.
	Vanne à étrier	Vérifier que l'aiguille touche la ligne d'eau et recule pour déclencher l'ouverture de la vanne.
	Humidificateur	Retirer le couvercle et vérifier que l'eau s'écoule dans le plateau de distribution.
	Tube d'évacuation	Vérifier qu'il n'y a pas d'obstruction.
Fuite d'air	Vérifier les joints des conduits	Sceller avec du ruban en aluminium.
Basse humidité	La soufflante de l'appareil de chauffage ne fonctionne pas.	<ul style="list-style-type: none"> • Réenclencher le disjoncteur ou rechercher un fusible grillé. • Vérifier que l'appareil de chauffage est alimenté en courant. • Vérifier tous les raccords de câblage externes. • Vérifier le réglage du régulateur d'humidité. • Appeler un professionnel du chauffage.
	Changements rapides d'air. Courants d'air (l'air froid est sec et constitue une charge additionnelle pour l'humidificateur).	<ul style="list-style-type: none"> • Garder les portes et les fenêtres fermées. • Fermer le registre du foyer s'il n'est pas utilisé. • Limiter l'utilisation du ventilateur d'échappement. • Étanchéifier le pourtour des portes et des fenêtres.
	Registre en position fermée	<ul style="list-style-type: none"> • Régler la lame du registre en position ouverte pour permettre l'humidification.
Haute humidité	Condensation sur les murs.	<ul style="list-style-type: none"> • Couper le régulateur d'humidité et l'eau jusqu'à ce que la condensation ait disparu.
	Forte présence de condensation sur les fenêtres.	<ul style="list-style-type: none"> • Placer le régulateur d'humidité à un réglage plus bas pour éliminer la condensation causée par l'humidité des bains, des nettoyages à la vadrouille, de la cuisson, etc. Si l'humidité persiste, une ventilation supplémentaire est requise.

GARANTIE LIMITÉE DE 5 ANS

Honeywell garantit ce produit, à l'exception des piles, contre tout défaut de fabrication ou de main d'œuvre, durant une période de trois (3) ans à partir de la date d'achat si le produit est utilisé et entretenu convenablement. En cas de défaillance ou de mauvais fonctionnement pendant la période de garantie, Honeywell remplacera ou réparera le produit, à sa discrétion.

Si le produit est défectueux,

(i) renvoyez-le avec la facture ou une autre preuve d'achat date au lieu d'achat; ou

(ii) appelez le service à la clientèle de Honeywell en composant le 1-800-468-1502. Le service à la clientèle déterminera si le produit doit être retourné à l'adresse suivante : Honeywell Return Goods, Dock 4MN10-3860, 1985 Douglas Dr. N., Golden Valley, MN 55422, ou si un produit de remplacement peut vous être expédié.

La présente garantie ne couvre pas les frais de retrait ou de réinstallation. La présente garantie ne s'appliquera pas s'il est démontré par Honeywell que la défectuosité ou le mauvais fonctionnement sont dus à un endommagement du produit alors que le consommateur l'avait en sa possession.

La responsabilité exclusive de Honeywell se limite à réparer ou à remplacer le produit conformément aux modalités susmentionnées. HONEYWELL N'EST EN AUCUN CAS RESPONSABLE DES PERTES OU DOMMAGES, Y COMPRIS LES DOMMAGES INDIRECTS OU ACCESSOIRES DÉCOULANT DIRECTEMENT OU INDIRECTEMENT D'UNE VIOLATION QUELCONQUE D'UNE GARANTIE, EXPRESSE OU TACITE, APPLICABLE AU PRÉSENT PRODUIT, OU TOUTE AUTRE DÉFECTUOSITÉ DU PRÉSENT PRODUIT. Certaines provinces ne permettent pas l'exclusion ou la restriction des dommages indirects ou accessoires et, par conséquent, la présente restriction peut ne pas s'appliquer à votre cas.

CETTE GARANTIE EST LA SEULE GARANTIE EXPRESSE FAITE PAR HONEYWELL POUR CE PRODUIT. LA DURÉE DE TOUTE GARANTIE IMPLICITE, INCLUANT LES GARANTIES DE QUALITÉ MARCHANDE OU D'ADAPTATION À UNE UTILISATION PARTICULIÈRE, EST LIMITÉE PAR LES PRÉSENTES À LA PÉRIODE DE TROIS ANS DE LA PRÉSENTE GARANTIE. Certaines provinces ne permettent pas de limiter la durée des garanties tacites et, par conséquent, la présente limitation peut ne pas s'appliquer.

La présente garantie donne au consommateur des droits spécifiques et certains autres droits qui peuvent varier d'une province à l'autre.

Pour toute question concernant la présente garantie, veuillez écrire aux Services à la clientèle de Honeywell à l'adresse suivante : Honeywell Customer Relations, 1985 Douglas Dr, Golden Valley, MN 55422, ou appeler le 1-800-468-1502.

Lorsque le produit est enregistré en ligne à www.warranty.Honeywell.com, la couverture standard du fabricant déclarée ci-dessus s'étend à une période de cinq (5) ans.

Solutions de régulation et d'automatisation

Honeywell International Inc.
1985 Douglas Drive North
Golden Valley, MN 55422
customer.honeywell.com



® Marque de commerce déposée aux É.-U.
© 2016 Honeywell International Inc.
33-00229EF-01 M.S. 08-16
Imprimé aux États-Unis