



32001754-001 Current Sensing Relay



INSTALLATION INSTRUCTIONS

APPLICATION

The 32001754-001 Current Sensing Relay is used with 120 Vac or 230 Vac blower motors or 230 Vac heat pumps and electric furnaces. The relay provides a convenient means of detecting blower activation and then energizing accessory equipment such as a humidifier.

INSTALLATION

When Installing This Product...

1. Read these instructions carefully.
2. Check the ratings in the instructions and on the product to make sure the product is suitable for the application.
3. Installer must be a trained, experienced service technician.
4. After installation is complete, check out the product operation as provided in these instructions.

IMPORTANT

All electrical connections must comply with local codes and ordinances.

Wiring



CAUTION

Electric Shock Hazard.

Can cause electrical shock or equipment damage.

Be sure relay and wiring do not come into contact with any moving parts or live electrical circuits.

Avoid hot surfaces and sharp edges when routing wire out of furnace cabinet.

To wire the relay:

1. Open the furnace blower compartment and locate the blower motor common wire.

IMPORTANT

- Be sure the relay is at least 4 in. (102 mm) from any transformer.
 - Be sure the metal bracket on the relay does not touch any other metal surface.
 - The blower motor common wire must carry a minimum of 4.0A for proper operation.
2. Attach the relay to the furnace blower motor common wire. See Fig. 1.
 3. If the current draw is less than 4.0A, loop the common wire at least twice or more times around the bracket, ensuring that the common wire passes between the bracket and the relay housing.

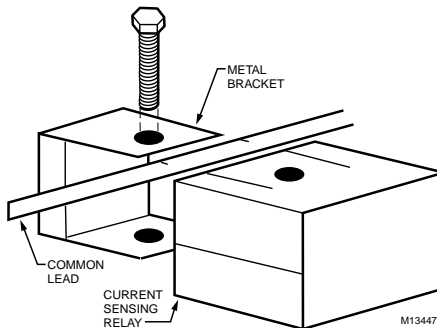


Fig. 1. Relay attached to furnace blower motor common wire.

Humidifier Wiring

The relay is wired in series with the humidistat:

1. Connect one relay leadwire to one 24 Vac transformer terminal. See Fig. 2.
2. Connect the second relay leadwire to the humidistat.



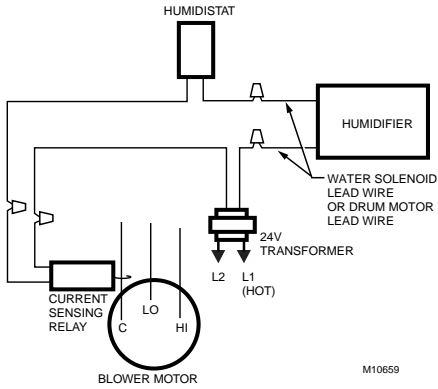


Fig. 2. Typical hookup diagram of current sensing relay with a humidifier.

Checkout

1. Turn on the power supply.
2. Set thermostat to 10°F above room temperature. When installed with a humidifier, set humidistat to the highest setting.
3. Check that the load (humidifier) operates with the blower.
4. Turn off power to the furnace blower and check that the load turns off.

NOTES:

- If load continues to run, check wiring and line fuses.
 - If installed on a humidifier and the solenoid valve turns on and off repeatedly, the circuit is overloaded. Turn off the power and correct the wiring.
5. Re-establish power.
 6. Reset the thermostat and humidistat to comfortable settings.



Resideo Technologies, Inc.
 1985 Douglas Drive North, Golden Valley, MN 55422
 1-800-468-1502

www.resideo.com 69-1139-02 M.S. Rev. 05-21 | Printed in United States