

FIELDCONTROLS AIR TREATMENT

Model: UV-AIRE™ UVX-16

Most Powerful UV in the Industry



DESIGNED &
ASSEMBLED
IN THE U.S.A



MODEL	
UVX-16-24	602616241
UVX-16-120	602616121

INCLUDED IN KIT

- Power Supply
- UVC Lamp
- 10' Pig-Tail Power Cord (24V ONLY)
- 10' 3-Prong Power Cord (120V ONLY)
- Mounting Hardware (10)
- View Port
- Installation Manual

REPLACEMENT PARTS

16" 24V UVC Lamp	602617024
16" 120V UVC Lamp	602617120
Pig-Tail Power Cord	602617004
3-Prong Power Cord	602617005

CERTIFICATIONS

Safety cULus

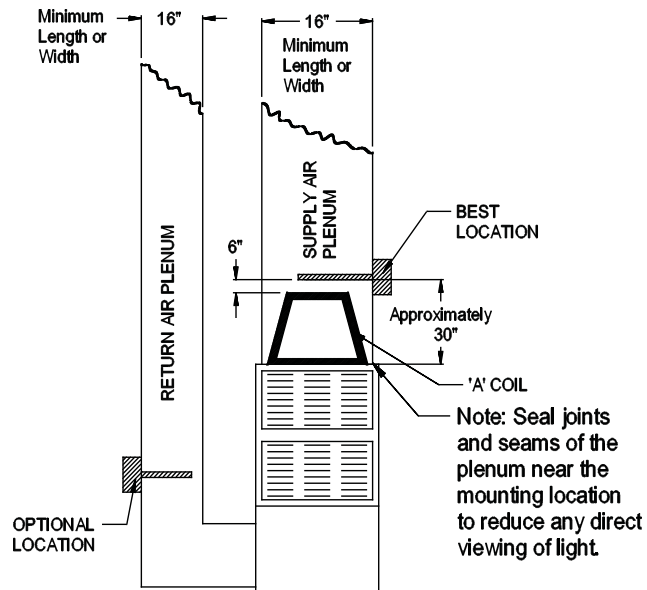
DESCRIPTION

The most powerful residential UV-C light product for HVAC systems in the industry. Simple and easy install and service. Trusted reliability and support. Actively clean the air system clean and improve indoor air quality.

FEATURES/BENEFITS

High Output UV-C	Highest UV-C output of any residential in-duct UV product on market
2-year UVC 254nm quartz lamp	Long lasting, safe, and effective lamps
Ozone-free operation	Third party tested, ensures no harmful by-products are introduced to the air
Active Cleaning	Reduces viruses, bacteria, fungi*, and odors
Easy and Simple Maintenance	Quick Turn-Lock™ design allows for easy lamp replacement
Warranty	10 year warranty, 90 day lamp warranty

*Demonstrated >99% reduction of virus MS-2 bacteriophage in <10 minutes, >99% reduction of bacterium Staphylococcus aureus in <5 minutes, and >80% reduction of fungi Aspergillus Niger in 60 minutes.



Field Controls
2630 Airport Road
Kinston, NC 28504

252 522-3031
Fax: 1 (800) 367-7942

Visit us at: www.fieldcontrols.com

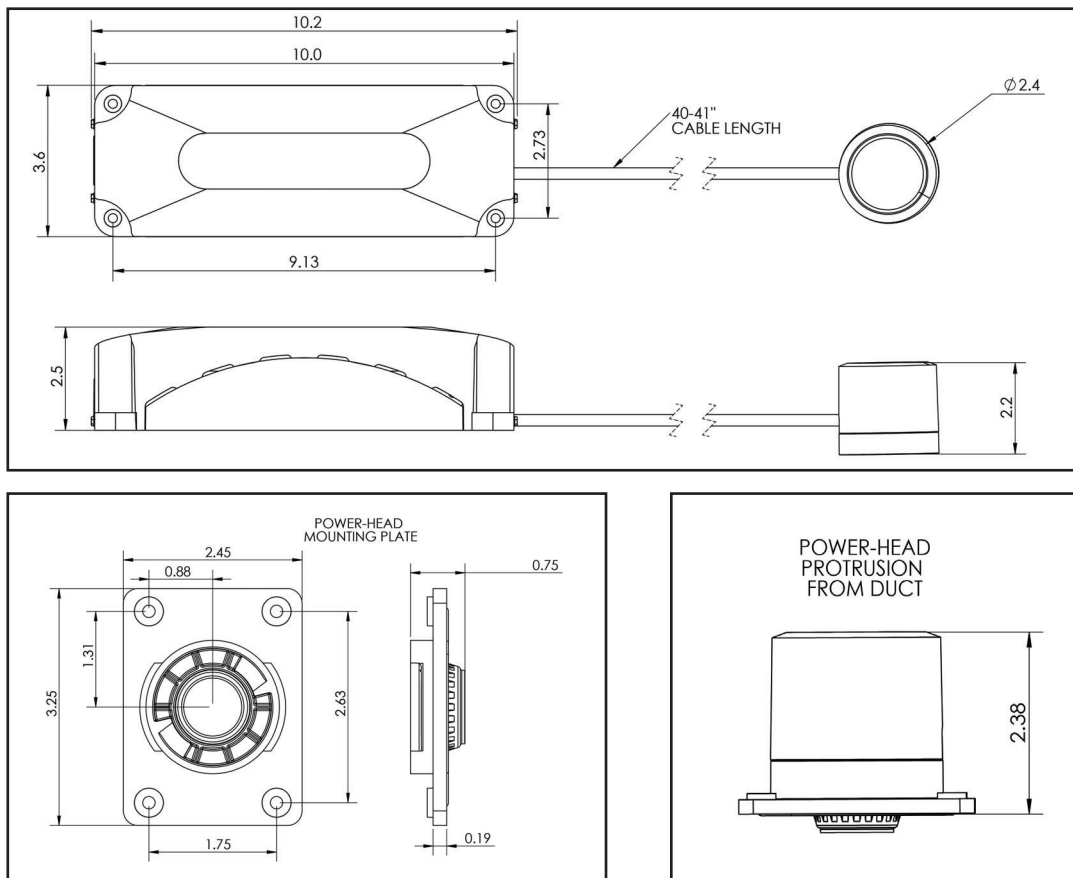
Field Controls LLC reserves the right to modify a product, without prior notice, whether in design, color or specifications, in order to offer at all times a quality product that is highly competitive. Please consult your national and local building codes to find out whether the installation of electrical products requires the services of a certified technician or electrician. Field Controls and UV-AIRE™ are registered Trademarks used under license by Field Controls LLC. All rights reserved.

ENGINEERING DATA

PRODUCT SPECIFICATIONS

	UVX-16-24	UVX-16-120
UV Lamp	254 nm UVC, 62 mW/cm ² @ 1 Meter 425mA, 21W Quartz, Ceramic	254 nm UVC, 132 mW/cm ² @ 1 Meter 800mA, 36W Quartz, Ceramic
Electrical	24V, 50/60Hz, 2.6A, 70W	100-230 VAC, 50/60Hz, 1.2A, 140-324W
Sizing	Up to 2000 Sq ft	Up to 2000 Sq ft
Incoming Power Cable	10 FT. NEMA 5 15P to C13 Plug	10 FT. Pigtail to C13 Plug
Lamp Cable	4 FT	
Shipping Dimensions	Carton: 22-5/8 x 5-1/2 x 4-1/8	
Temperature Range	-22 to 140°F Ambient Indoor Temperatures	
Ballast & Power Head Mounting	0.170" Hole Diameter, #8 Type AB Screws (Included)	

DIMENSIONAL DATA



PROJECT INFORMATION

Quoted by:	Date:
Project:	Remarks:
Quantity:	
Model:	
Site:	
Architect:	
Engineer:	
Contractor:	



Field Controls
2630 Airport Road
Kinston, NC 28504
252 522-3031
Fax: 1 (800) 367-7942

Visit us at: www.fieldcontrols.com