

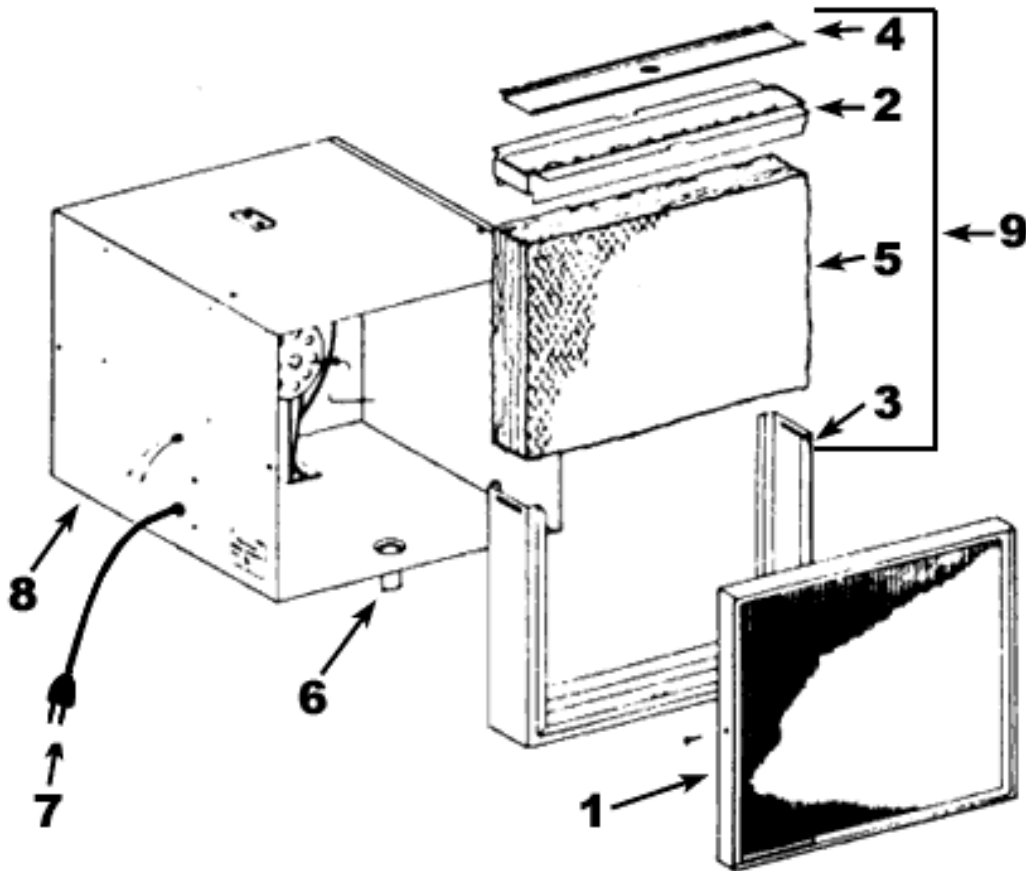
# OWNER'S MANUAL

## MAINTENANCE INSTRUCTIONS

for

### APRILAIRE HUMIDIFIER MODELS 350-360

**WARNING!** 120 volts may cause serious injury from electrical shock. Disconnect power and shut off water supply before servicing.



#### Key

- |                            |                         |
|----------------------------|-------------------------|
| 1. Inlet Grille            | 6. Drain Spud           |
| 2. Distribution Tray       | 7. Power Cord           |
| 3. Scale Control Insert    | 8. Metal Housing        |
| 4. Distribution Tray Cover | 9. Evaporative Assembly |
| 5. Water Panel             |                         |

## Maintenance Instructions

1. Disconnect electrical power and turn off water supply.
2. Remove screws of the inlet grille (1). The grille can now be removed from the metal housing (8).
3. Lift the complete plastic framed evaporative section out of the humidifier housing.

4. To remove the distribution tray (2) from evaporative assembly (9), push down on tray and pull out on white plastic frame (Scale Control Insert) (3). To clean the "V" openings of the tray, it will be necessary to gently pry the distribution tray cover (4) from the tray. In this cleaning procedure do not scrape off the granular coating from the bottom of the tray. This helps insure proper, even waterflow for maximum performance. See page 2 if removed.
5. Remove Water Panel evaporator (5) from the Scale Control Insert (3). Scrape the Insert with a putty knife or similar tool and flush clean with water. Install new Water Panel evaporator (Stock No. 35) with black colored spot up. Snap plastic cover into tray and tray into Scale Control Insert.
6. Remove the drain hose from the bottom of the unit and bend and flex it to loosen the internal calcium deposits. Then flush it with water under pressure and slip it back onto the black drain fitting (6).
7. Re-install complete plastic framed evaporative section and intake grille.
8. Reconnect electrical power.
9. Turn on water supply and check unit operation.

© RESEARCH PRODUCTS CORPORATION 2000